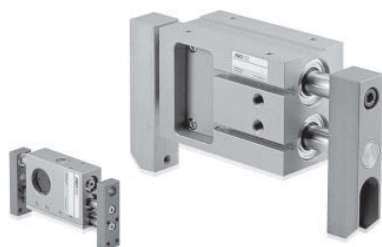


PH07 Series

Features



- Wide type parallel open & close by Link Lever
- Wide handling with transverse open & close centered in body
- Cross Roller Bearing is applied to PH07-06 and PH07-10.
- Auto Switch for the detection of position can be attached (PH07-20, PH07-30, PH07-40, PH07-50)

Order form

PH07 - 20 - A1 S

① ② ③ ④

① Series

② Bore size & Stroke(mm)

Name	Bore size(mm)	Stroke(mm)
6	6	10
10	10	20
20	20	30
30	30	40
40	40	80
50	50	100

③ Auto Switch type

Symbol	Type	Length
A1	DSC PRO-A1 (2-wire)	1m
A1L		3m
B1	PLC PRO-B1 (3-wire)	1m
B1L		3m

④ Auto Switch quantity

Blank	2ea
S	1ea

*For Auto Switch mounting of PH07-06 and 10, please contact our company.

Specification

Model	PH07-06	PH07-10	PH07-20	PH07-30	PH07-40	PH07-50
Bore size(mm)	6	10	20	30	40	50
Stroke(mm)	10	20	30	40	80	100
Gripping force(kgf) Air pressure(5kgf/cm ²) Note 2)	Close	1.3	2.1	8.8	18.8	53
Air port size	M3	M3	PT1/8	PT1/8	PT1/8	PT1/8
Main body weight(kgf)	0.18	0.3	0.9	2.1	5.2	10.1
Allowable length of attachment L(mm) Note 3)	20	35	50	80	100	130
Fluid	Clean air Note 1)					
Air pressure(kgf/cm ²)	3 ~ 7 (General resistance pressure: 10.5) Note 4)					
Lubrication	No need (if need, use one sort of turbine oil: SPEC ISOVG 32)					
Temperature(°C)	5 ~ 60					
Accuracy(mm)	±0.02			±0.1		
Max. Cycle Per Minute(C.P.M)	80			60		
Motion type	Double-acting type (Structure: Parallel open & close by Link Lever) (Guide: Oil less Bearing Guide - PH07-20, 30, 40, 50 Cross Roller Guide - PH07-06, 10)					
Tolerance of open & close stroke(mm)	Open: -0.5 ~ +1.5, Close: -1.5 ~ +0.5					

Note 1) Clean air: Fresh air containing solid matters with 0.3% of supersaturated moisture and 99.9% of liquid oil that passed through the 3-10 μ m degree of filtering

Note 2) The position of gripping point for gripping force is the end point of the Finger.

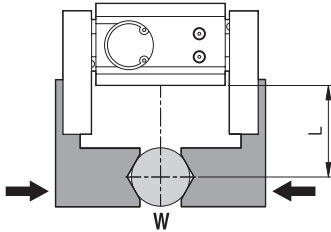
Note 3) For the base point of tolerable length and displacement in attachment, refer to page 48.(Tolerable value with 5kgf/cm² of Air pressure.)

Note 4) Guaranteed capacity of resist pressure: A pressure that does not cause an abnormality in parts when it is applied for 1 minute without any weight loaded.



▶ Refer to page 49 for how to read the graph.

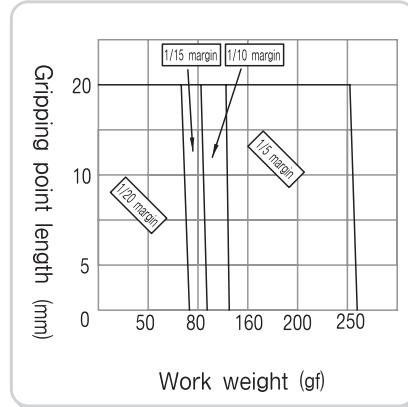
WORK outer diameter gripping force graph



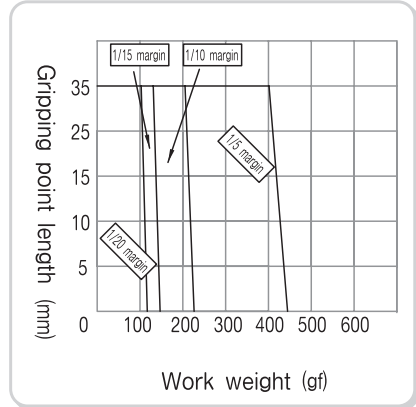
Outer diameter gripping state

W : Work weight
L : Gripping point length

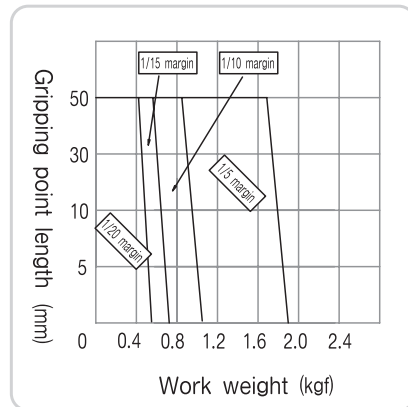
◆PH07-06



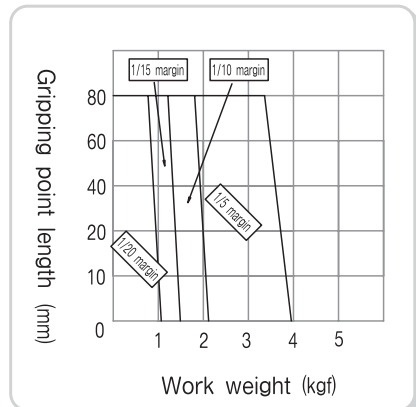
◆PH07-10



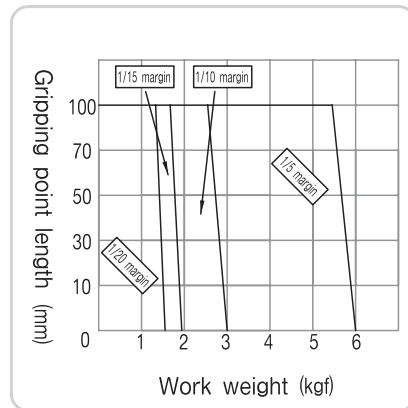
◆PH07-20



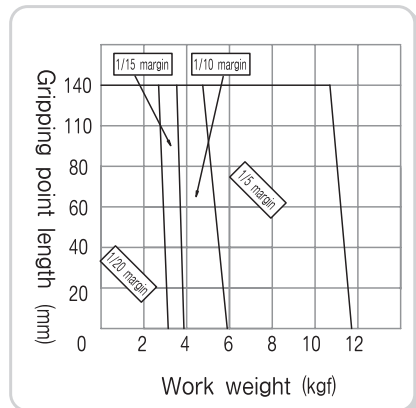
◆PH07-30



◆PH07-40



◆PH07-50



HAND

- PH01-A
- PH01-D
- PH01-G
- PH01K
- PH01K-C
- PH02
- PH04
- PH05
- PH06
- PH06-L
- PH07**
- PH08
- PH09
- PH12
- PH14-S
- PH15-S
- PH21
- PH22
- PH23

⚠ Caution

If using the attachment longer than allowable length as specified in the graph, it may have an adverse effect on the guide and cause problem to durability. Always use the gripping force within the specified length.



PH07 Series

06

10

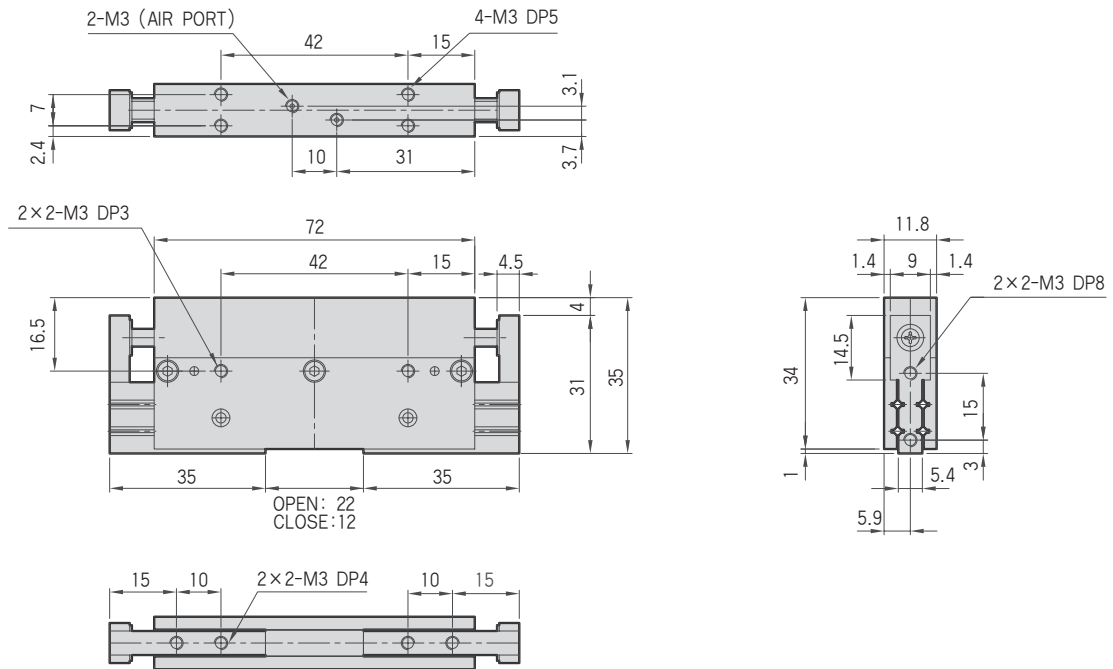
20

30

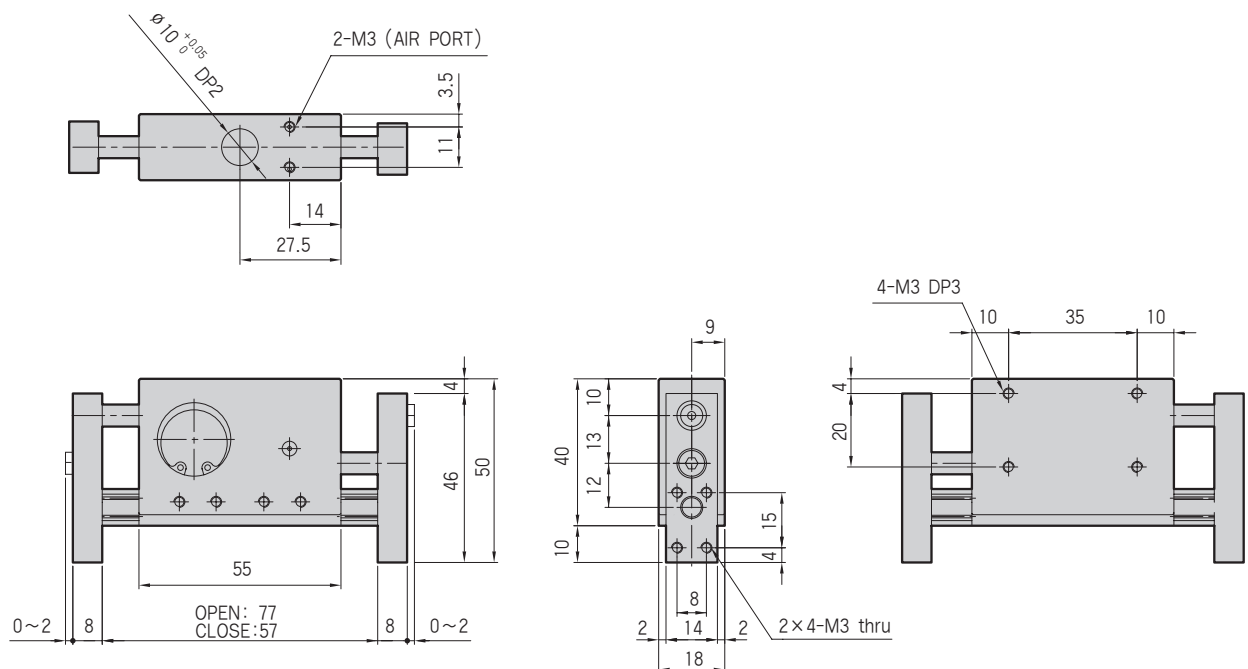
40

50

PH07-06



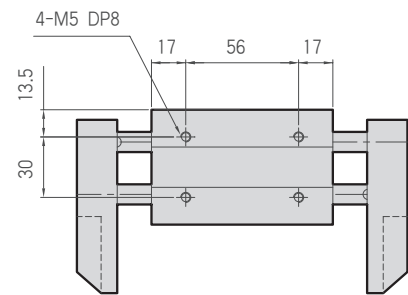
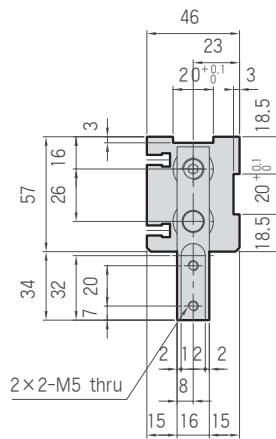
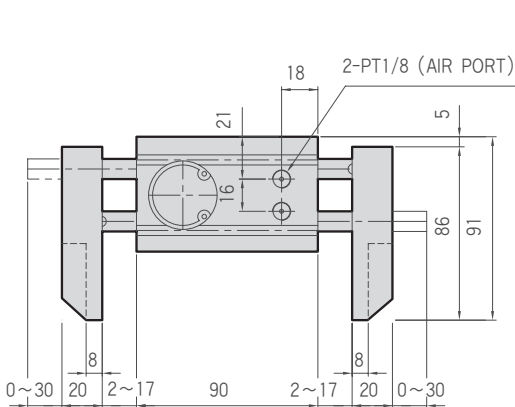
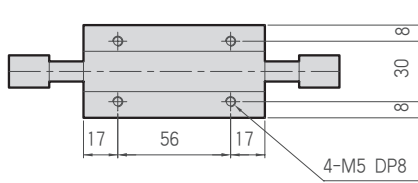
PH07-10



PH07-20

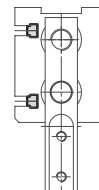
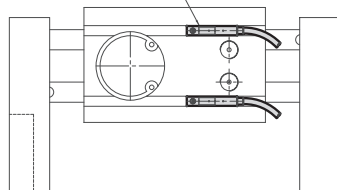
HAND

- PH01-A
- PH01-D
- PH01-G
- PH01K
- PH01K-C
- PH02
- PH04
- PH05
- PH06
- PH06-L
- PH07**
- PH08
- PH09
- PH12
- PH14-S
- PH15-S
- PH21
- PH22
- PH23



PH07-20-Auto Switch

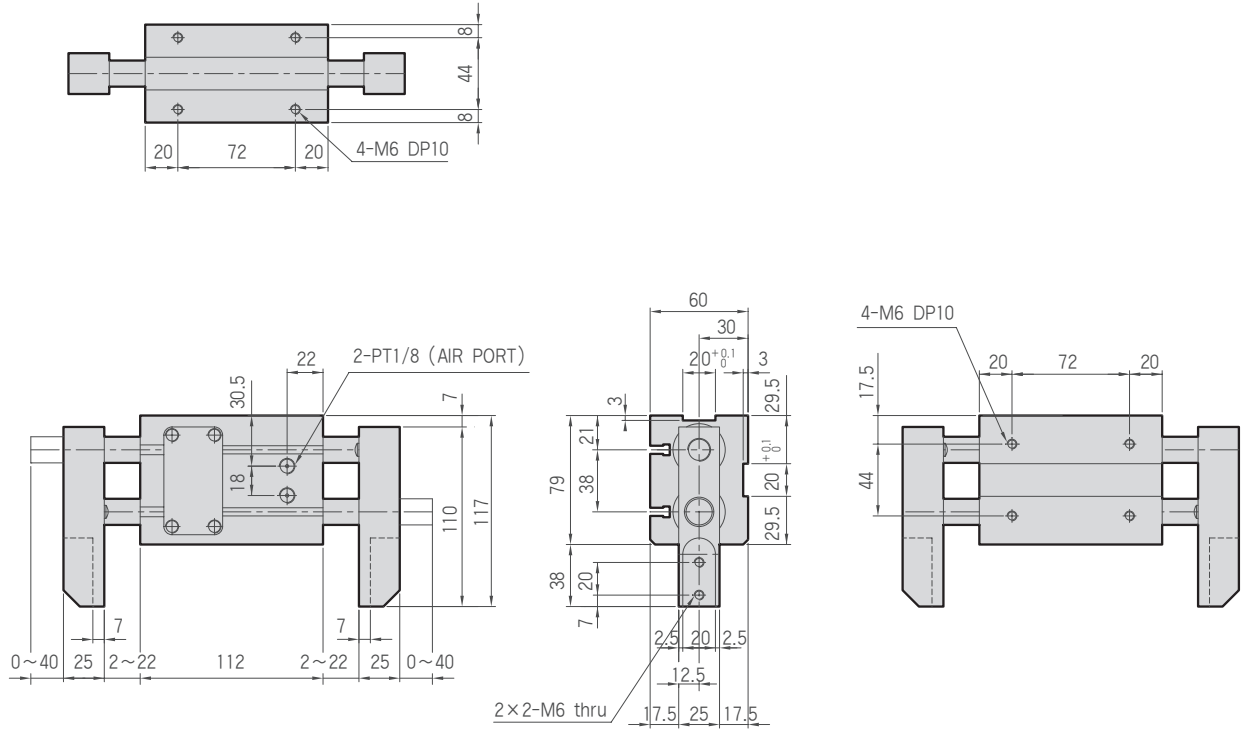
PRO-A1, PRO-B1



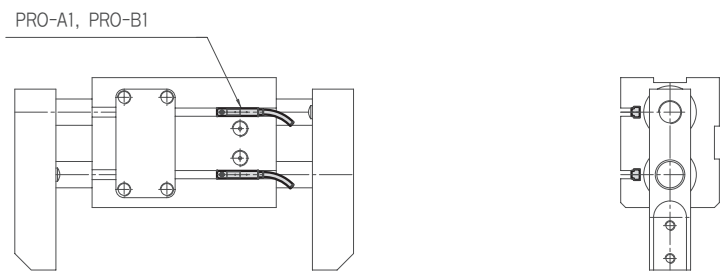
PH07 Series

- 06
- 10
- 20
- 30
- 40
- 50

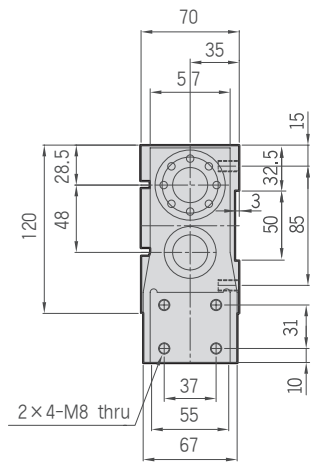
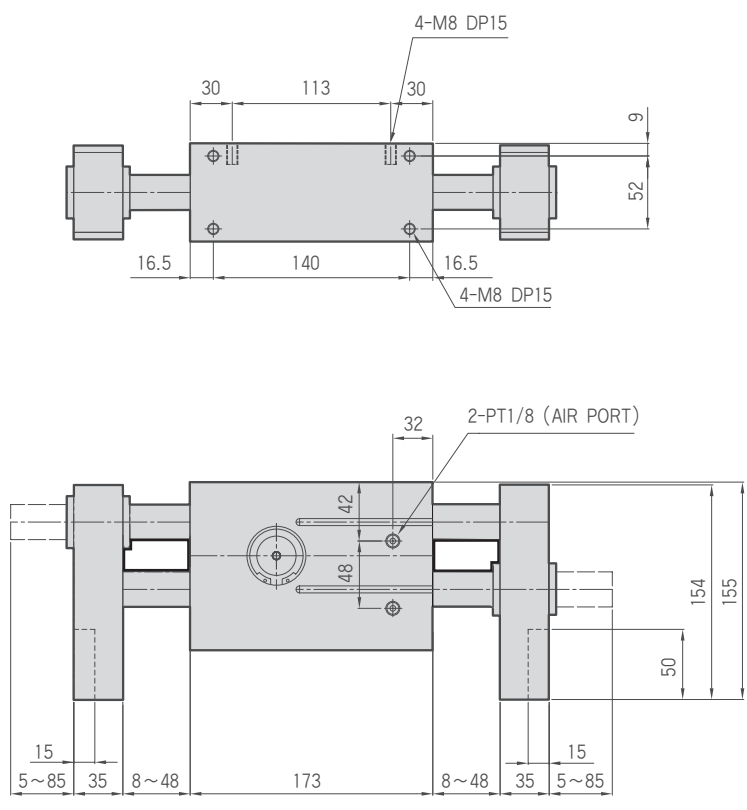
PH07-30



PH07-30-Auto Switch



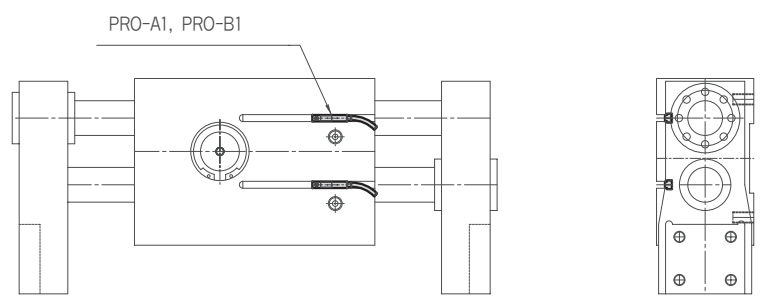
PH07-40



HAND

- PH01-A
- PH01-D
- PH01-G
- PH01K
- PH01K-C
- PH02
- PH04
- PH05
- PH06
- PH06-L
- PH07**
- PH08
- PH09
- PH12
- PH14-S
- PH15-S
- PH21
- PH22
- PH23

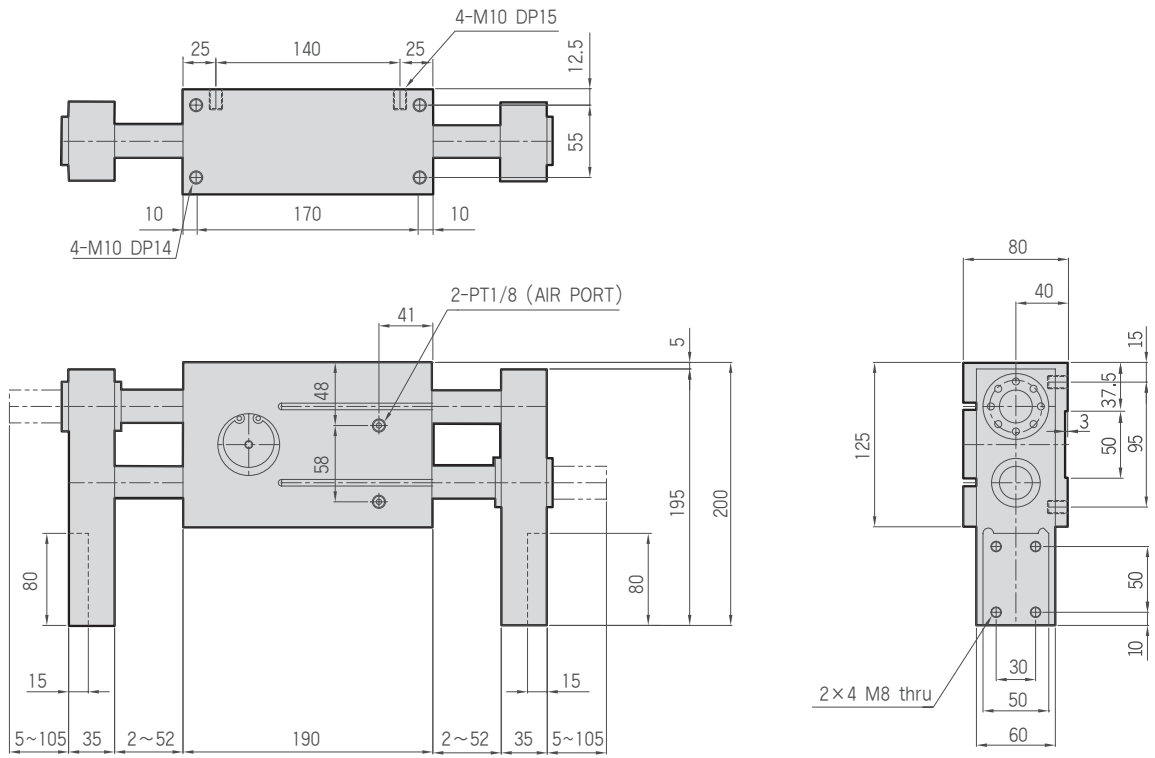
PH07-40-Auto Switch



PH07 Series

- 06
- 10
- 20
- 30
- 40
- 50

PH07-50



PH07-50-Auto Switch

