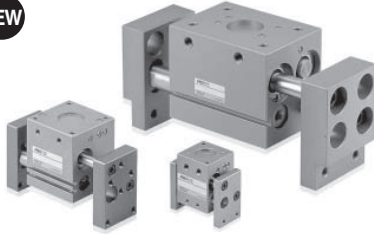


PH06, PH06-L Series

Features

NEW



- Parallel open & close type Hand by Link Lever
- Compact type structure and stable gripping force ensured with synchronization of 2 sets of cylinder by York
- Convenient for various deformed work pieces handling with transverse open & close centered in body
- Auto Switch for the detection of position can be attached

Order form

PH06 - 16 - A2 S
 ① ② ③ ④

③ Auto Switch type

Symbol	Type	Length	Applied cylinder
A1	DSC PRO-A1	1m	PH06-20,30,40
A1L	(2-wire)	3m	
B1	PLC PRO-B1	1m	PH06-10L, 12L, 16L,30L
B1L	(3-wire)	3m	
A2	DSC PRO-A2	1m	PH06-12,16
A2L	(2-wire)	3m	
B2	PLC PRO-B2	1m	PH06-20L
B2L	(3-wire)	3m	

*For Auto Switch mounting of PH06-10, please contact our company.

① Series

② Bore size & Stroke(mm)

Name	Bore size(mm)	Stroke(mm)
10	10	10
10L	10	10
12	12	20
12L	12	20
16	16	30
16L	16	30
20	20	40
20L	20	90
30	30	60
30L	30	120
40	40	100

④ Auto Switch quantity

Blank	2ea
S	1ea

Specification

Model	PH06-10	PH06-10L	PH06-12	PH06-12L	PH06-16	PH06-16L	PH06-20	PH06-20L	PH06-30	PH06-30L	PH06-40
Bore size(mm)	2×10	2×10	2×12	2×12	2×16	2×16	2×20	2×20	2×30	2×30	2×40
Stroke(mm)	10	10	20	20	30	30	40	90	60	120	100
Gripping force(kgf) Air pressure(5kgf/cm ²) Note 2)	Close		2.9	5.1	9.1	14.2	30.8	57			
Air port size	M5		M5	M5	M5	M5	PT1/8	PT1/8			
Main body weight(kgf)	0.15	0.18	0.28	0.3	0.52	0.5	1.1	1.8	2.85	3.7	7.65
Allowable length of attachment L(mm) Note 3)	45	35	60	40	75	60	90	70	130	80	170
Fluid	Clean air Note 1)										
Air pressure(kgf/cm ²)	3 ~ 7 (General resistance pressure: 10.5) Note 4)										
Lubrication	No need (if need, use one sort of turbine oil: SPEC ISOVG 32)										
Temperature(°C)	5 ~ 60										
Accuracy(mm)	±0.05										
Max. Cycle Per Minute(C.P.M)	60										
Motion type	Double-acting type (Structure: Parallel open & close by Link Lever) (Guide: Metal Guide)										
Tolerance of open & close stroke(mm)	Open: -0.5 ~ +1.5, Close: -1.5 ~ +0.5										

Note 1) Clean air: Fresh air containing solid matters with 0.3% of supersaturated moisture and 99.9% of liquid oil that passed through the 3-10 μ m degree of filtering

Note 2) The position of gripping point for gripping force is the end point of the Finger.

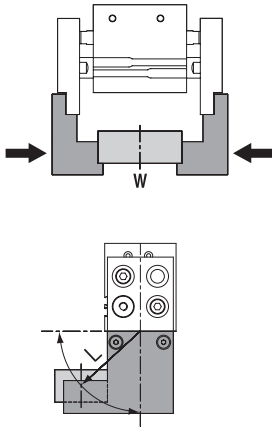
Note 3) For the base point of tolerable length and displacement in attachment, refer to page 48.(Tolerable value with 5kgf/cm² of Air pressure.)

Note 4) Guaranteed capacity of resist pressure: A pressure that does not cause an abnormality in parts when it is applied for 1 minute without any weight loaded.



▶ Refer to page 49 for how to read the graph.

WORK outer diameter gripping force graph



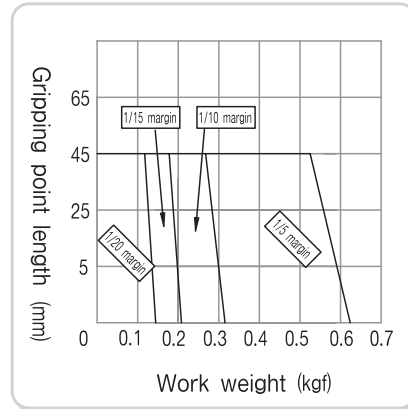
Outer diameter gripping state

W: Work weight
L: Gripping point length

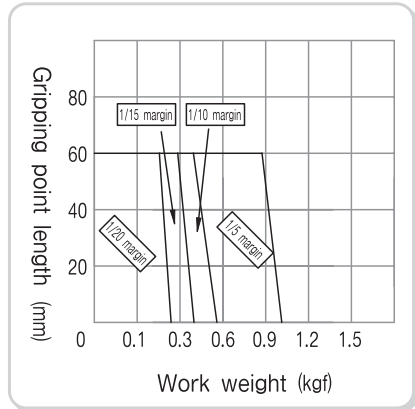
- ◆ The work weight of gripping force graph means the work weight that can be gripped according to margin (work conditions) in the state that the attachments are attached at 2 fingers and contacted to the work as shown in above figure.

- ◆ As shown in above figure, in the case of putting the attachments on the work without positioning of work and returning it in low-speed (100mm/sec or less), up to 1/5 of margin can be applied according to the gripping force graph.

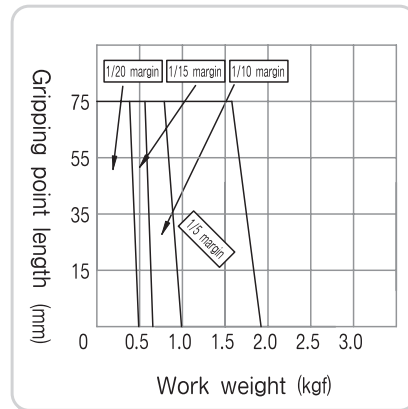
◆PH06-10



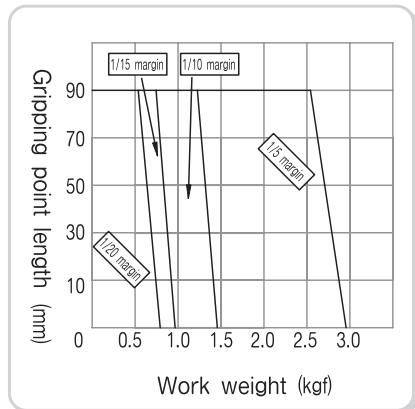
◆PH06-12



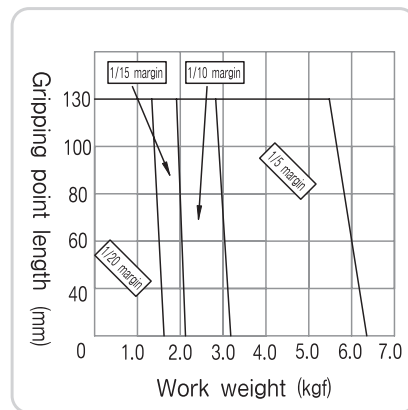
◆PH06-16



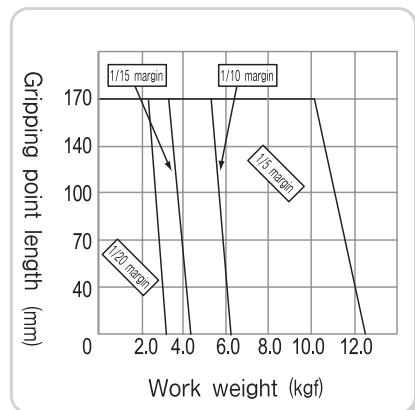
◆PH06-20



◆PH06-30



◆PH06-40



HAND

- PH01-A
- PH01-D
- PH01-G
- PH01K
- PH01K-C
- PH02
- PH04
- PH05
- PH06
- PH06-L
- PH07
- PH08
- PH09
- PH12
- PH14-S
- PH15-S
- PH21
- PH22
- PH23

⚠ Caution

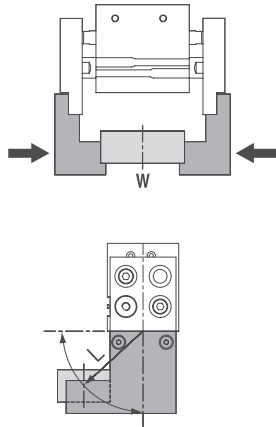
If using the attachment longer than allowable length as specified in the graph, it may have an adverse effect on the guide and cause problem to durability. Always use the gripping force within the specified length.



PH06, PH06-L Series

▶ Refer to page 49 for how to read the graph.

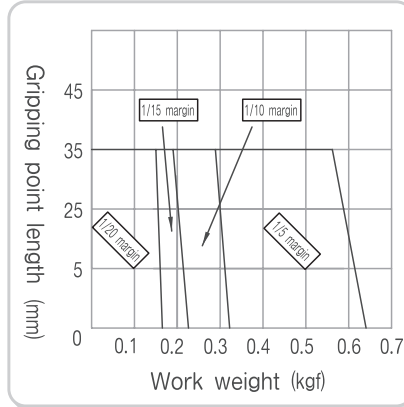
WORK outer diameter gripping force graph



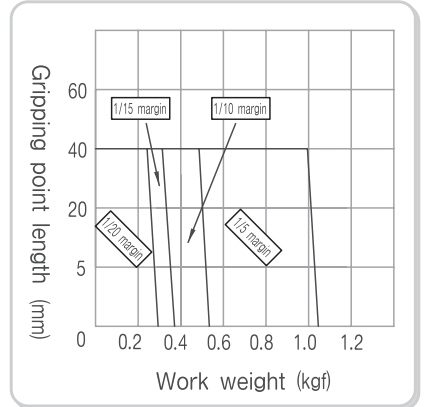
Outer diameter gripping state

W: Work weight
L : Gripping point length

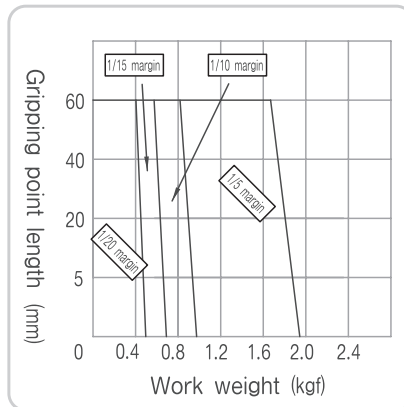
◆PH06-10L



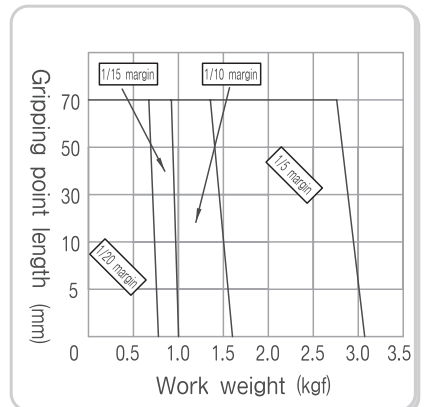
◆PH06-12L



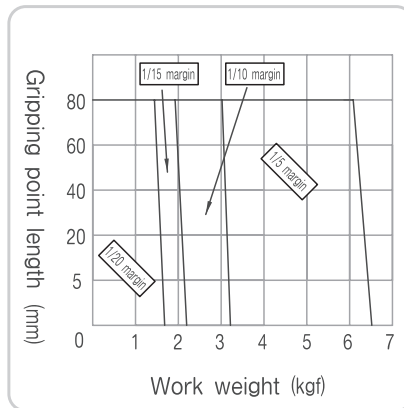
◆PH06-16L



◆PH06-20L



◆PH06-30L





PH06 Series

PROTEC

10

12

16

20

30

40

10L

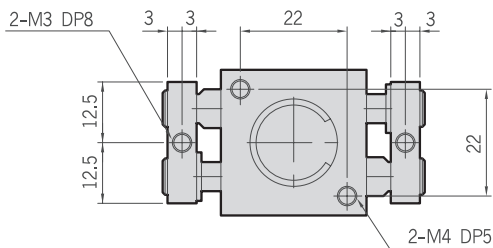
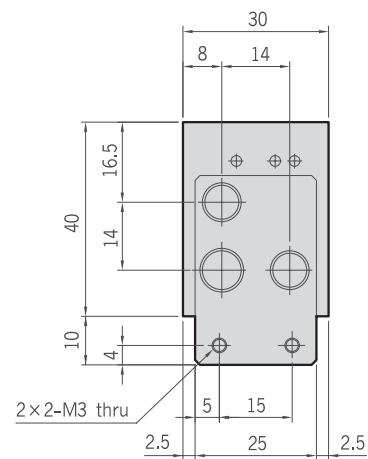
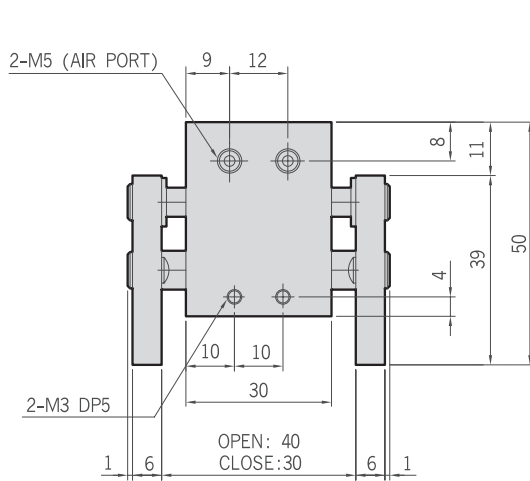
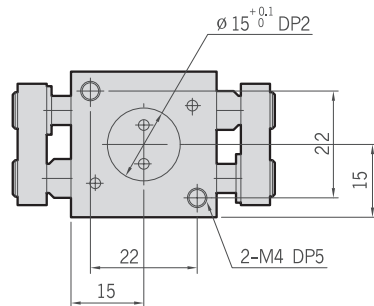
12L

16L

20L

30L

PH06-10



HAND

- PH01-A
- PH01-D
- PH01-G
- PH01K
- PH01K-C
- PH02
- PH04
- PH05
- PH06**
- PH06-L
- PH07
- PH08
- PH09
- PH12
- PH14-S
- PH15-S
- PH21
- PH22
- PH23



PH06 Series

10

12

16

20

30

40

10L

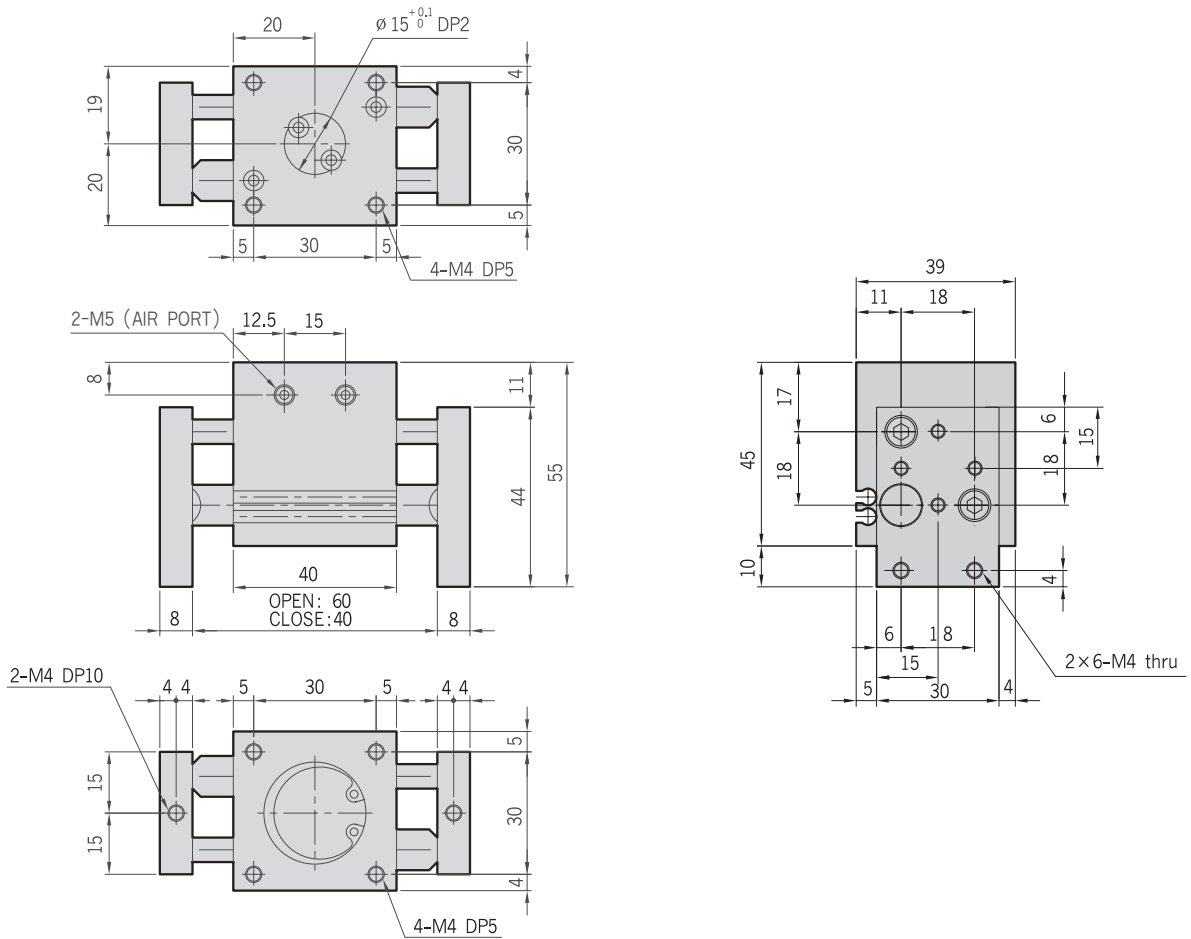
12L

16L

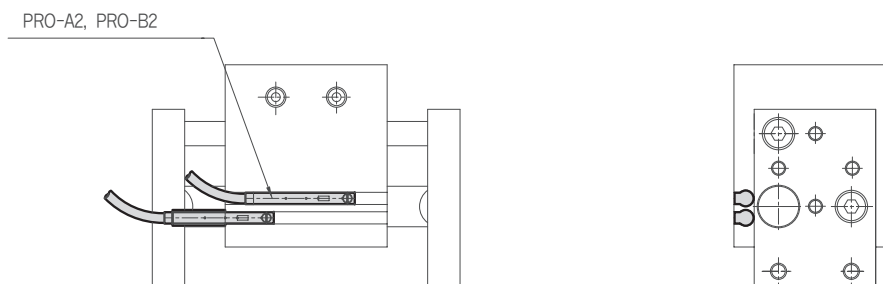
20L

30L

PH06-12

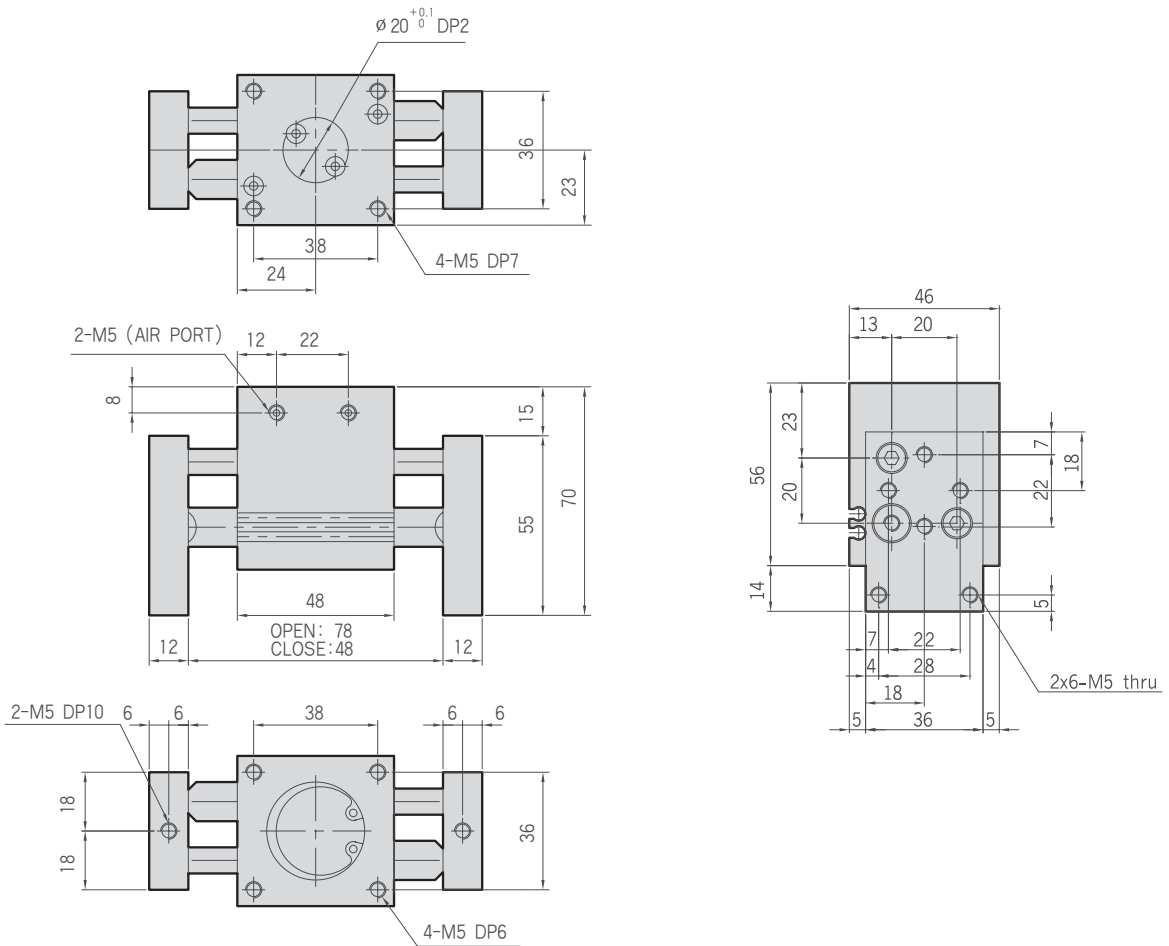


PH06-12-Auto Switch



- 10 12 16 20 30 40 10L 12L 16L 20L 30L

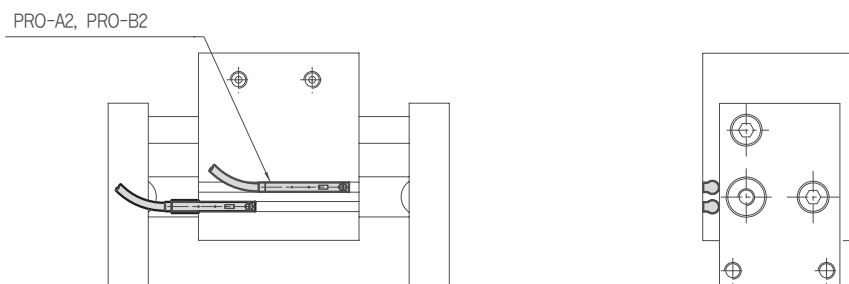
PH06-16



HAND

- PH01-A
- PH01-D
- PH01-G
- PH01K
- PH01K-C
- PH02
- PH04
- PH05
- PH06**
- PH06-L
- PH07
- PH08
- PH09
- PH12
- PH14-S
- PH15-S
- PH21
- PH22
- PH23

PH06-16-Auto Switch

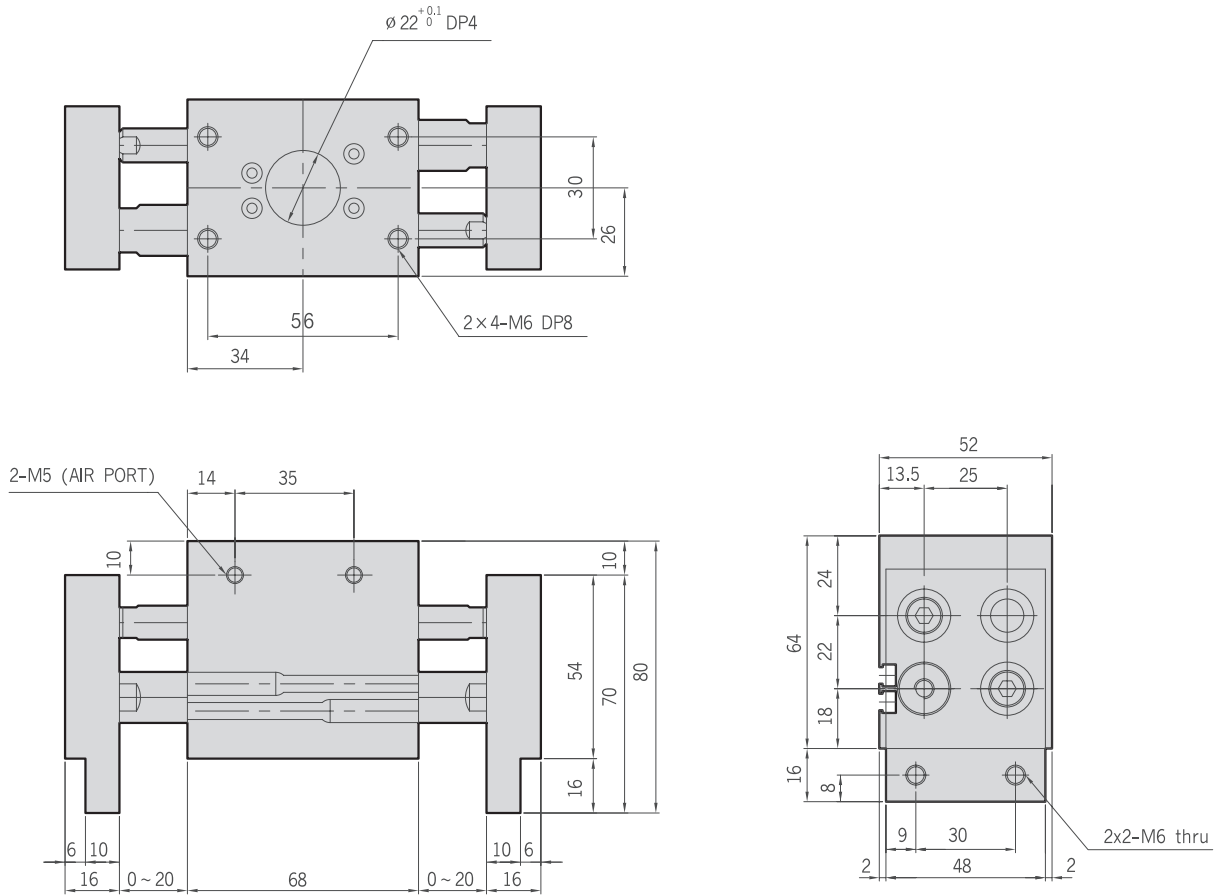




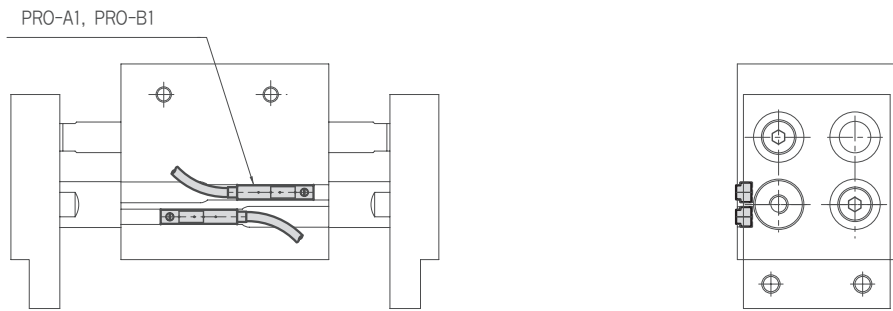
PH06 Series

- | | | | | | | | | | | |
|----|----|----|-----------|----|----|-----|-----|-----|-----|-----|
| 10 | 12 | 16 | 20 | 30 | 40 | 10L | 12L | 16L | 20L | 30L |
|----|----|----|-----------|----|----|-----|-----|-----|-----|-----|

PH06-20

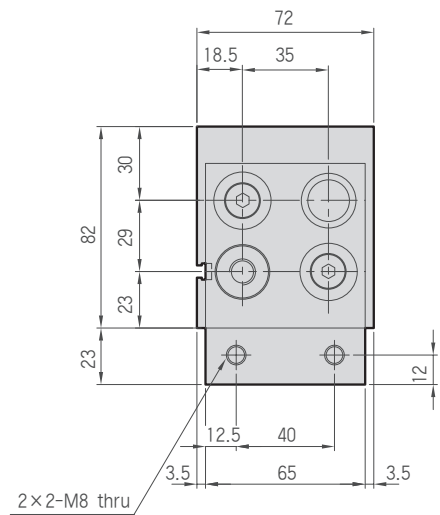
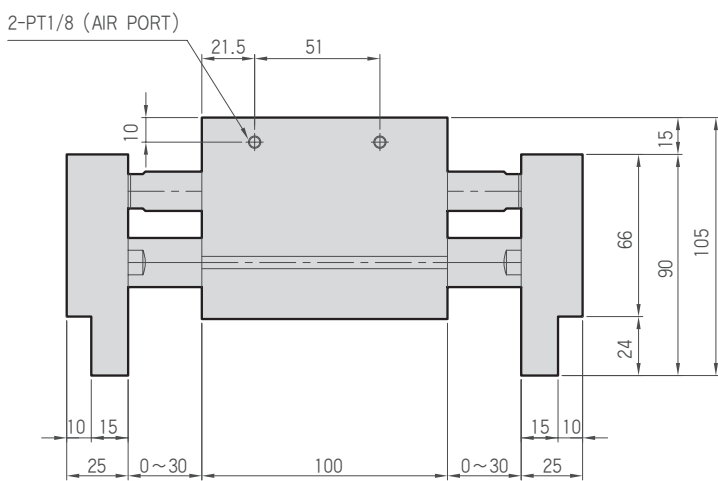
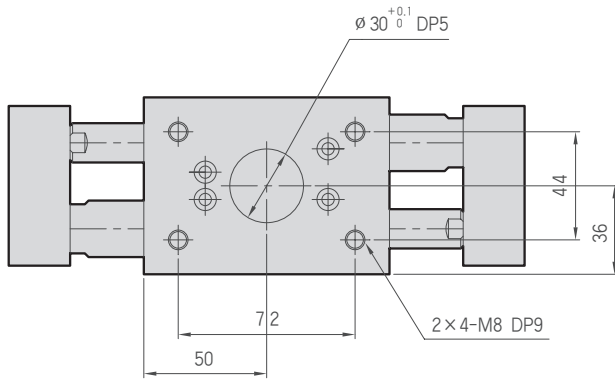


PH06-20-Auto Switch



- 10
- 12
- 16
- 20
- 30
- 40
- 10L
- 12L
- 16L
- 20L
- 30L

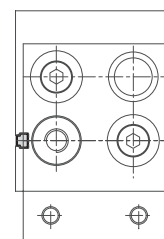
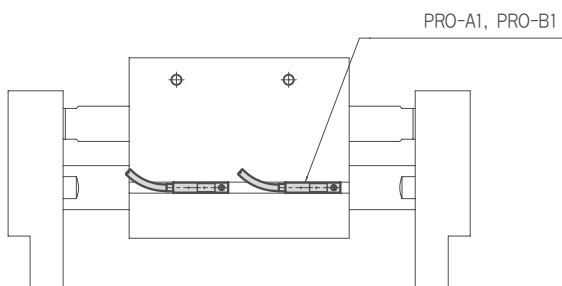
PH06-30



HAND

- PH01-A
- PH01-D
- PH01-G
- PH01K
- PH01K-C
- PH02
- PH04
- PH05
- PH06
- PH06-L
- PH07
- PH08
- PH09
- PH12
- PH14-S
- PH15-S
- PH21
- PH22
- PH23

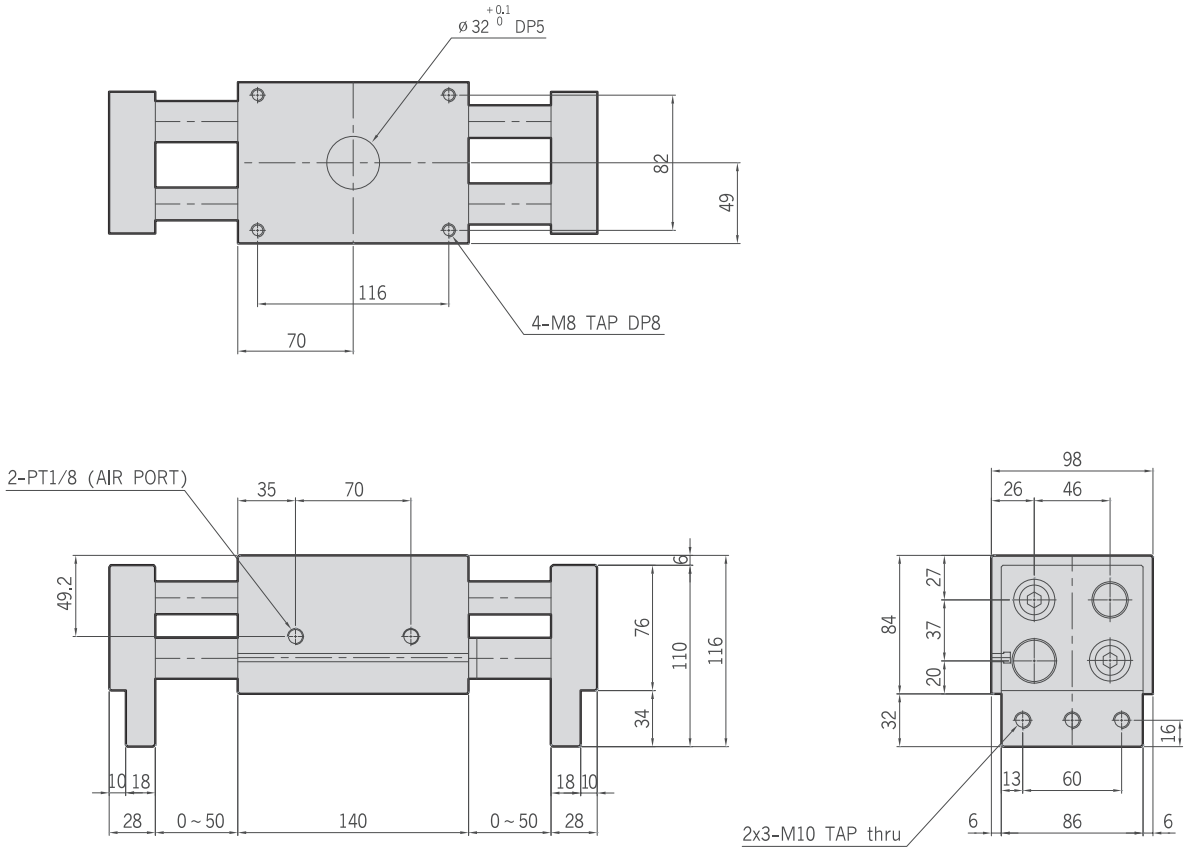
PH06-30-Auto Switch



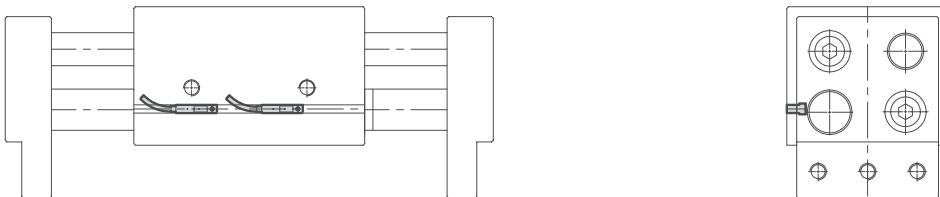
PH06 Series

10	12	16	20	30	40	10L	12L	16L	20L	30L
----	----	----	----	----	-----------	-----	-----	-----	-----	-----

PH06-40

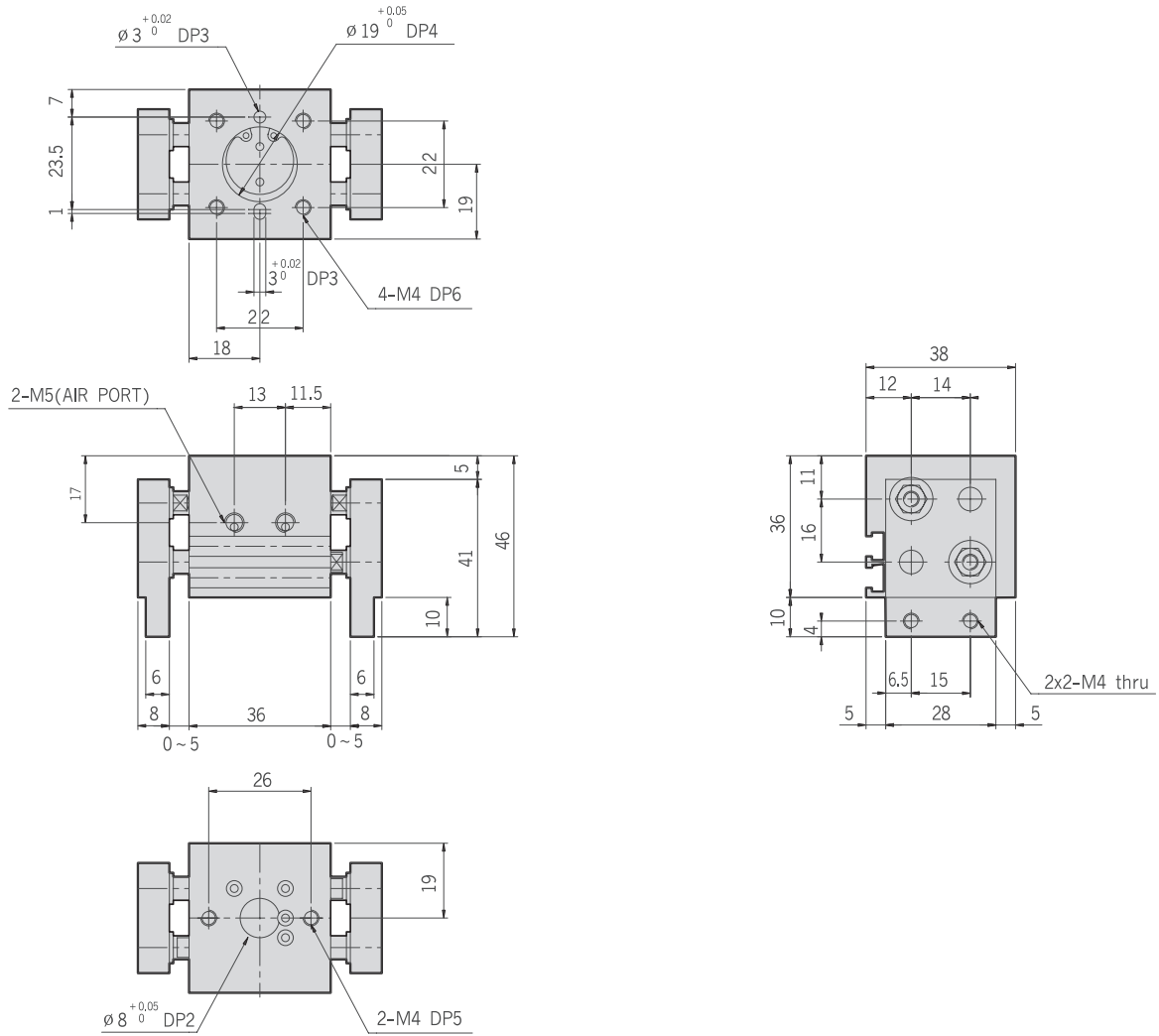


PH06-40-Auto Switch



- 10
- 12
- 16
- 20
- 30
- 40
- 10L
- 12L
- 16L
- 20L
- 30L

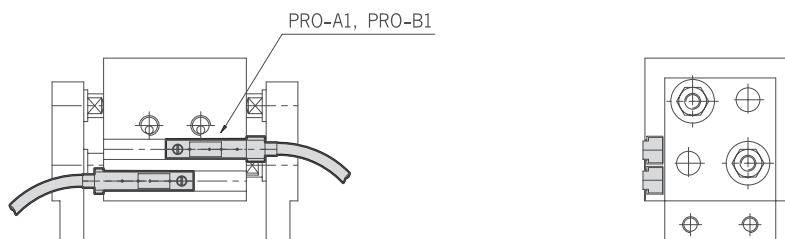
PH06-10L



HAND

- PH01-A
- PH01-D
- PH01-G
- PH01K
- PH01K-C
- PH02
- PH04
- PH05
- PH06
- PH06-L
- PH07
- PH08
- PH09
- PH12
- PH14-S
- PH15-S
- PH21
- PH22
- PH23

PH06-10L-Auto Switch





PH06-L Series

10

12

16

20

30

40

10L

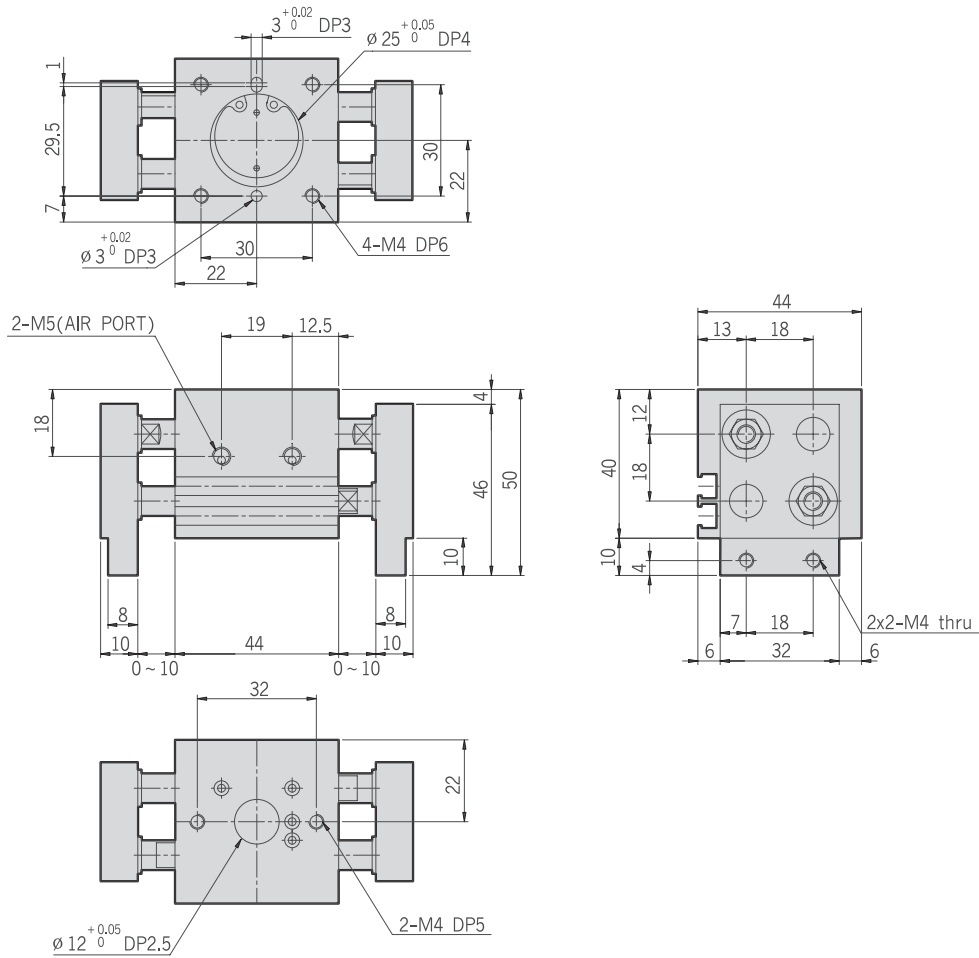
12L

16L

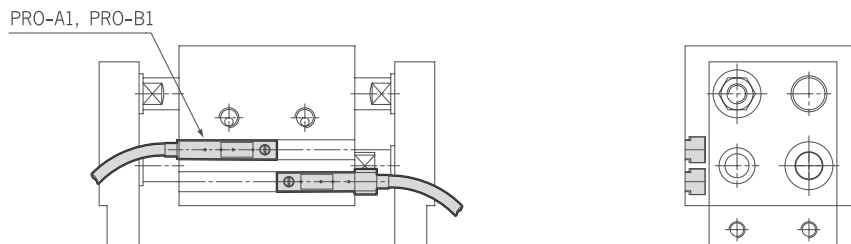
20L

30L

PH06-12L

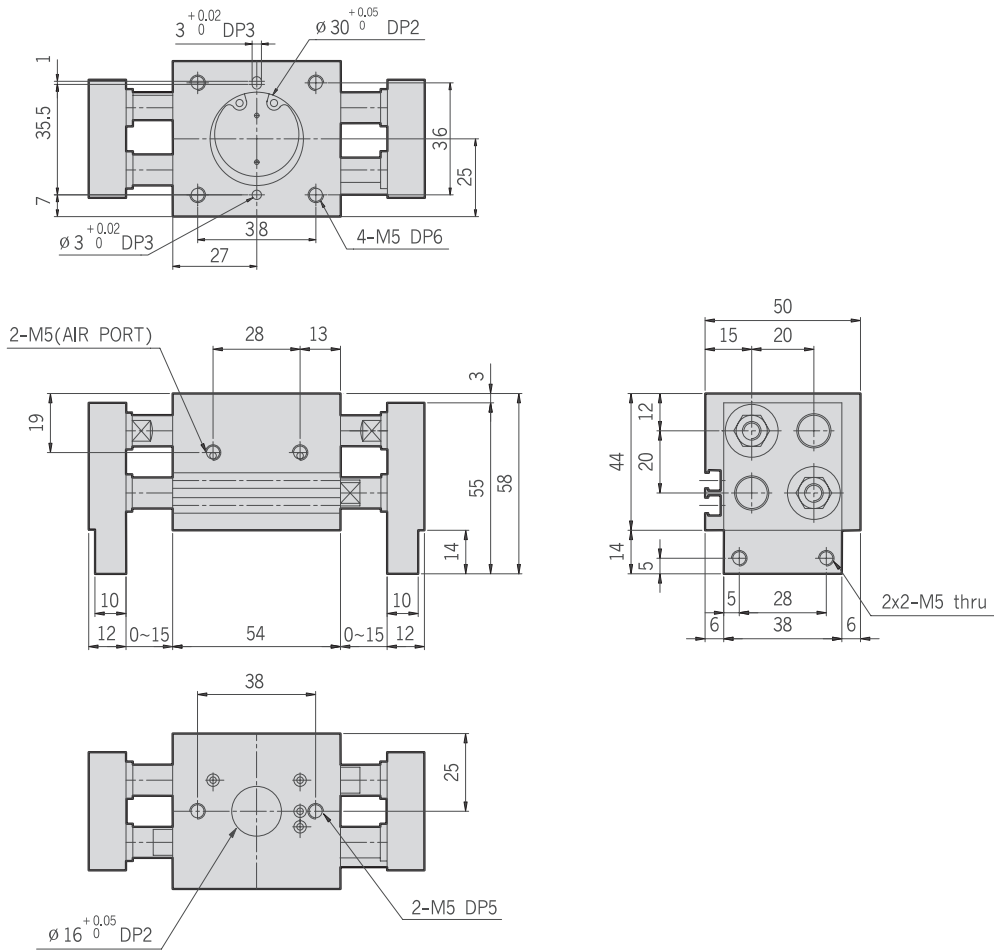


PH06-12L-Auto Switch



- 10 12 16 20 30 40 10L 12L 16L 20L 30L

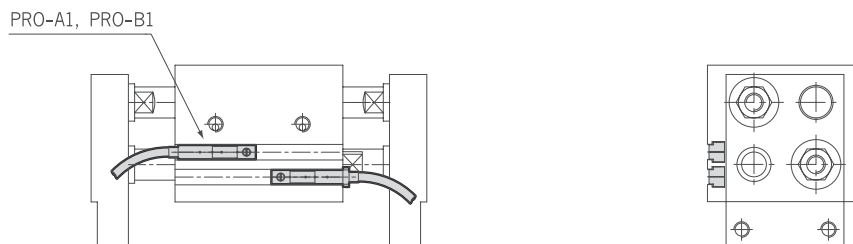
PH06-16L



HAND

- PH01-A
- PH01-D
- PH01-G
- PH01K
- PH01K-C
- PH02
- PH04
- PH05
- PH06
- PH06-L**
- PH07
- PH08
- PH09
- PH12
- PH14-S
- PH15-S
- PH21
- PH22
- PH23

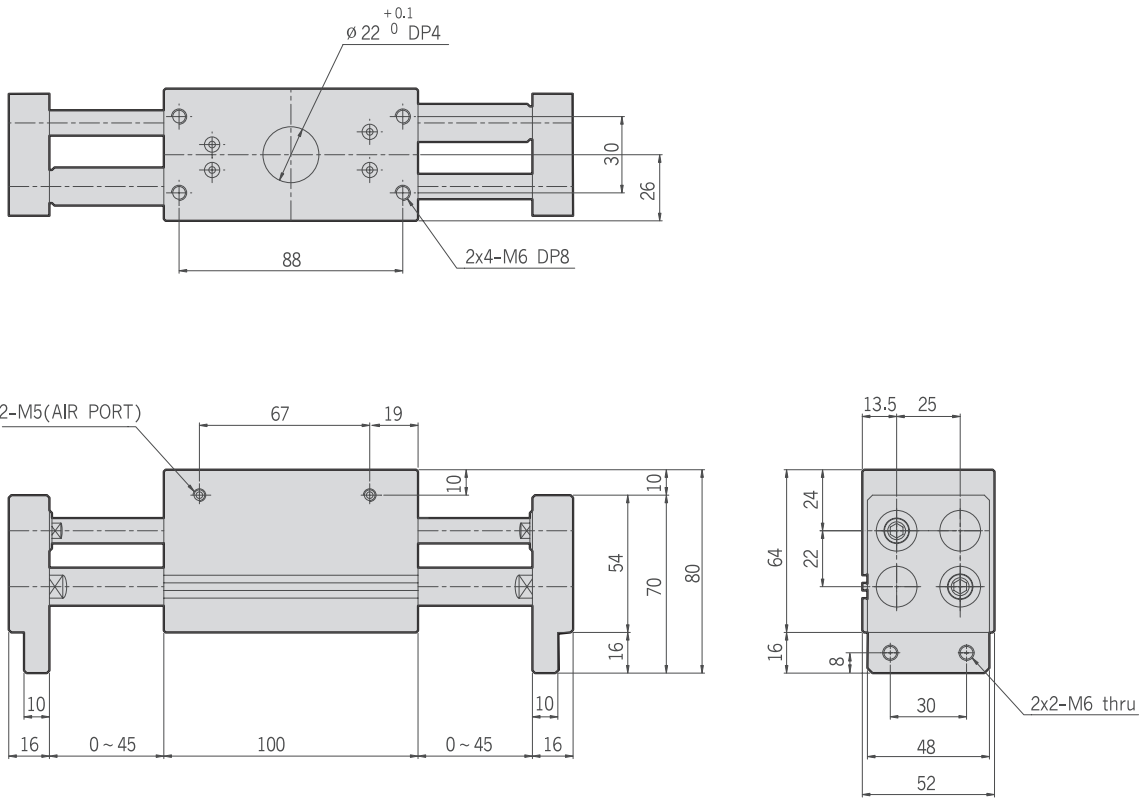
PH06-16L-Auto Switch



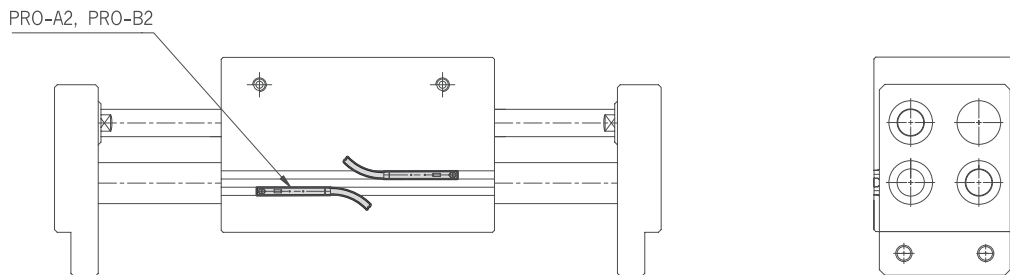
PH06-L Series

- | | | | | | | | | | | |
|----|----|----|----|----|----|-----|-----|-----|------------|-----|
| 10 | 12 | 16 | 20 | 30 | 40 | 10L | 12L | 16L | 20L | 30L |
|----|----|----|----|----|----|-----|-----|-----|------------|-----|

PH06-20L

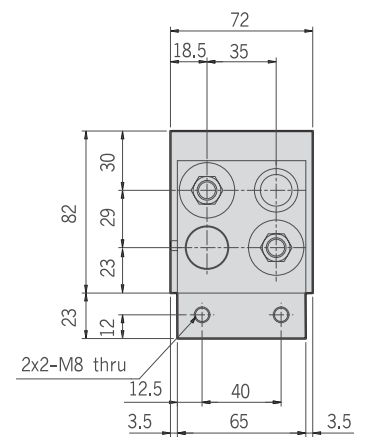
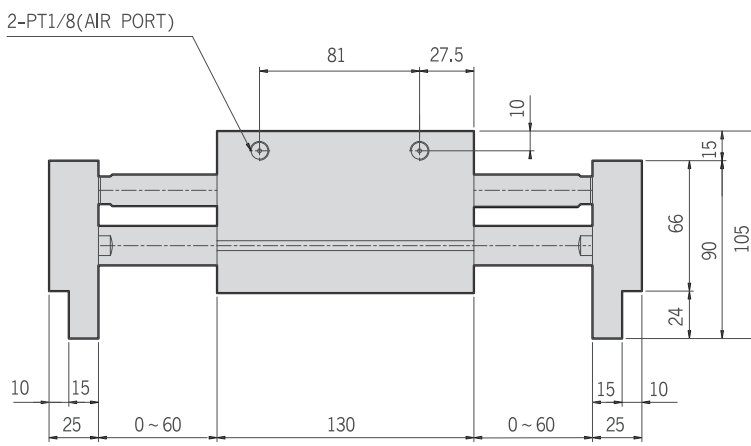
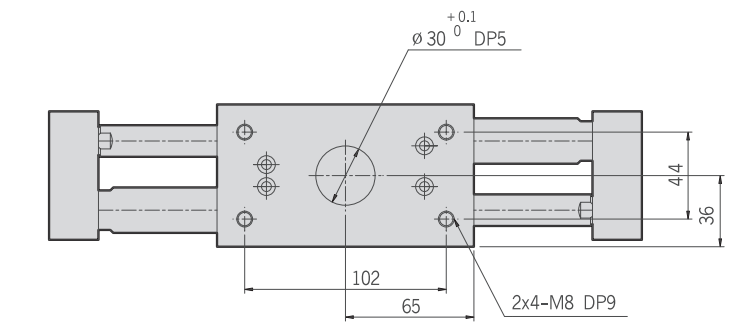


PH06-20L-Auto Switch



- 10
- 12
- 16
- 20
- 30
- 40
- 10L
- 12L
- 16L
- 20L
- 30L

PH06-30L



HAND

- PH01-A
- PH01-D
- PH01-G
- PH01K
- PH01K-C
- PH02
- PH04
- PH05
- PH06
- PH06-L
- PH07
- PH08
- PH09
- PH12
- PH14-S
- PH15-S
- PH21
- PH22
- PH23

PH06-30L-Auto Switch

