

ROTARY JOINT

PRJ Series

Features



- Rotation type air distributor where air supplying while spindle axis spinning inside of housing.
- High-solidity structure by built-in bearing at both ends
- Hose twisting prevented as in pneumatic actuator during rotation process, a separate rotation actuator required as a driving source

Order Form

PRJ 50
① ②

① Series

② Name

Name	HOUSING outer diameter(mm)
50	50
70	70
90	90

※ We supply various type of rotary joint model not only for standard model. So, If you need another specification or customizing item, please contact to us.

Specification

Model		PRJ 50	PRJ 70	PRJ 90
Allowable radial load(kgf)		25	30	105
Allowable thrust load(kgf)		18	24	182
Allowable revolution count(RPM)		Within MAX 200	Within MAX 150	Within MAX 100
Main body weight(kgf)		0.55	1.6	3.9
Air port size	Air supply port	M5	PT1/8	PT1/8
	Air connection	M5	M5	PT1/8
Air port quantity		2	4	6
Minimum torque(kgf · cm) <small>Note 2)</small>		10	20	70
Air pressure(kgf/cm ²)		1.5 ~ 7 (Guaranteed pressure: 10.2) <small>Note 3)</small>		
Temperature(°C)		5 ~ 60		
Fluid		Clean air <small>Note 1)</small>		
Guide		Radial bearing guide at both ends		
Lubrication		No need (if need, use one sort of turbine oil: SPEC ISOVG 32)		

Note 1) Clean air: Fresh air containing solid matters with 0.3% of supersaturated moisture and 99.9% of liquid oil that passed through the 3~10 μ m degree of filtering

Note 2) Above figure is the minimum torque to rotate joint. Actuator is required separately. Above minimum torque value is condition value without any compressed air applied.

Note 3) Guaranteed capacity of resist pressure: A pressure that does not cause an abnormality in parts when it is applied for 1 minute without any weight loaded.

50

70

90

SWIVEL UNIT /
ROTARY JOINT

ASU-SH

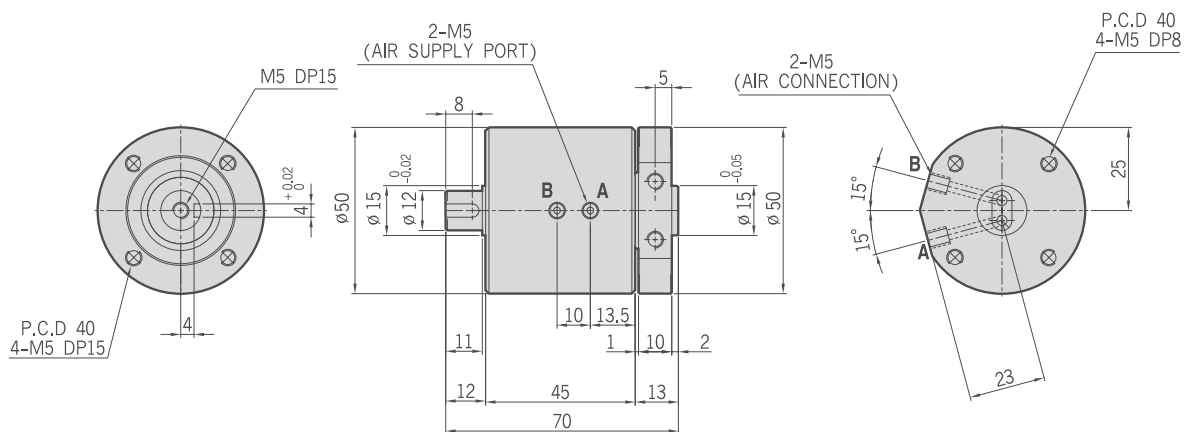
ASU-G

ASU-N

MODULE

PRJ

PRJ50



PRJ90

