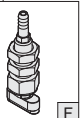
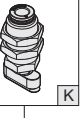
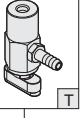
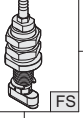
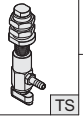
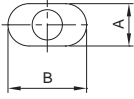


# 真空吸盤 / 橢圓型吸盤

吸盤之選定要領與訂購稱呼說明

CHELIC

## ◎ 訂購稱呼代號

| PAW        | F  | 5 X 20   | X |  | -  | N    | -      | R      |     |        |   |      |         |     |        |   |      |        |   |      |    |       |        |   |      |    |       |        |   |      |    |       |        |   |      |    |       |        |   |      |    |       |        |   |      |    |       |        |   |      |    |       |        |   |      |    |       |        |   |      |    |       |        |   |      |    |       |        |   |      |    |       |  |   |
|------------|--|--|---|--|----|------|--------|--------|-----|--------|---|------|---------|-----|--------|---|------|--------|---|------|----|-------|--------|---|------|----|-------|--------|---|------|----|-------|--------|---|------|----|-------|--------|---|------|----|-------|--------|---|------|----|-------|--------|---|------|----|-------|--------|---|------|----|-------|--------|---|------|----|-------|--------|---|------|----|-------|--------|---|------|----|-------|--|---|
| 真空吸盤       | 支架型式   | 吸盤規格   |   | 行程   |    | 吸盤材質 |        | 附擺動支架組 |     |        |   |      |         |     |        |   |      |        |   |      |    |       |        |   |      |    |       |        |   |      |    |       |        |   |      |    |       |        |   |      |    |       |        |   |      |    |       |        |   |      |    |       |        |   |      |    |       |        |   |      |    |       |        |   |      |    |       |        |   |      |    |       |  |   |
| PAW橢圓型真空吸盤 | 直立配管<br> F<br>直立配管<br> K<br>側向配管<br> T<br>直立彈簧型<br> FS<br>側向彈簧型<br> TS | 短徑(A)x長徑(B)mm<br>2 x 4      2.5 x 2.5<br>3.5 x 7    5 x 5<br>4 x 10    6 x 10<br>4 x 20    6 x 20<br>4 x 30    6 x 30<br>5 x 10    8 x 20<br>5 x 20    8 x 30<br> |   | <table border="1"> <tr> <th>規格</th> <th>記號</th> <th>行程(mm)</th> </tr> <tr> <td rowspan="2">2 x 4</td> <td>2.5</td> <td>2.5 mm</td> </tr> <tr> <td>5</td> <td>5 mm</td> </tr> <tr> <td rowspan="2">3.5 x 7</td> <td>2.5</td> <td>2.5 mm</td> </tr> <tr> <td>5</td> <td>5 mm</td> </tr> <tr> <td rowspan="2">4 x 10</td> <td>6</td> <td>6 mm</td> </tr> <tr> <td>15</td> <td>15 mm</td> </tr> <tr> <td rowspan="2">4 x 20</td> <td>6</td> <td>6 mm</td> </tr> <tr> <td>15</td> <td>15 mm</td> </tr> <tr> <td rowspan="2">4 x 30</td> <td>6</td> <td>6 mm</td> </tr> <tr> <td>15</td> <td>15 mm</td> </tr> <tr> <td rowspan="2">5 x 10</td> <td>6</td> <td>6 mm</td> </tr> <tr> <td>15</td> <td>15 mm</td> </tr> <tr> <td rowspan="2">5 x 20</td> <td>6</td> <td>6 mm</td> </tr> <tr> <td>15</td> <td>15 mm</td> </tr> <tr> <td rowspan="2">5 x 30</td> <td>6</td> <td>6 mm</td> </tr> <tr> <td>15</td> <td>15 mm</td> </tr> <tr> <td rowspan="2">6 x 10</td> <td>6</td> <td>6 mm</td> </tr> <tr> <td>15</td> <td>15 mm</td> </tr> <tr> <td rowspan="2">6 x 20</td> <td>6</td> <td>6 mm</td> </tr> <tr> <td>15</td> <td>15 mm</td> </tr> <tr> <td rowspan="2">6 x 30</td> <td>6</td> <td>6 mm</td> </tr> <tr> <td>15</td> <td>15 mm</td> </tr> <tr> <td rowspan="2">8 x 20</td> <td>6</td> <td>6 mm</td> </tr> <tr> <td>15</td> <td>15 mm</td> </tr> <tr> <td rowspan="2">8 x 30</td> <td>6</td> <td>6 mm</td> </tr> <tr> <td>15</td> <td>15 mm</td> </tr> </table> | 規格 | 記號   | 行程(mm) | 2 x 4  | 2.5 | 2.5 mm | 5 | 5 mm | 3.5 x 7 | 2.5 | 2.5 mm | 5 | 5 mm | 4 x 10 | 6 | 6 mm | 15 | 15 mm | 4 x 20 | 6 | 6 mm | 15 | 15 mm | 4 x 30 | 6 | 6 mm | 15 | 15 mm | 5 x 10 | 6 | 6 mm | 15 | 15 mm | 5 x 20 | 6 | 6 mm | 15 | 15 mm | 5 x 30 | 6 | 6 mm | 15 | 15 mm | 6 x 10 | 6 | 6 mm | 15 | 15 mm | 6 x 20 | 6 | 6 mm | 15 | 15 mm | 6 x 30 | 6 | 6 mm | 15 | 15 mm | 8 x 20 | 6 | 6 mm | 15 | 15 mm | 8 x 30 | 6 | 6 mm | 15 | 15 mm | N : NBR 材質(黑)<br>(標準型)<br>S : 矽膠(Silicon)<br>矽橡膠<br>SE : 防靜電橡膠<br>(表面電阻 $10^4 \sim 10^6 \Omega$ )<br>E : 低阻抗防靜電橡膠<br>(表面電阻 $200 \Omega$ )<br>註: SE、E為訂製品 | 迴轉支架    吸盤外徑(mm)<br>PAR 20 $\varnothing 20 \sim \varnothing 50$<br>註: 根據前項吸盤規格選型,<br>搭配適用擺動支架組,<br>尺寸詳見P.4-2.12 |
| 規格         | 記號   | 行程(mm)   |   |  |    |      |        |        |     |        |   |      |         |     |        |   |      |        |   |      |    |       |        |   |      |    |       |        |   |      |    |       |        |   |      |    |       |        |   |      |    |       |        |   |      |    |       |        |   |      |    |       |        |   |      |    |       |        |   |      |    |       |        |   |      |    |       |        |   |      |    |       |  |   |
| 2 x 4      | 2.5  | 2.5 mm   |   |  |    |      |        |        |     |        |   |      |         |     |        |   |      |        |   |      |    |       |        |   |      |    |       |        |   |      |    |       |        |   |      |    |       |        |   |      |    |       |        |   |      |    |       |        |   |      |    |       |        |   |      |    |       |        |   |      |    |       |        |   |      |    |       |        |   |      |    |       |  |   |
|            | 5  | 5 mm   |   |  |    |      |        |        |     |        |   |      |         |     |        |   |      |        |   |      |    |       |        |   |      |    |       |        |   |      |    |       |        |   |      |    |       |        |   |      |    |       |        |   |      |    |       |        |   |      |    |       |        |   |      |    |       |        |   |      |    |       |        |   |      |    |       |        |   |      |    |       |  |   |
| 3.5 x 7    | 2.5  | 2.5 mm   |   |  |    |      |        |        |     |        |   |      |         |     |        |   |      |        |   |      |    |       |        |   |      |    |       |        |   |      |    |       |        |   |      |    |       |        |   |      |    |       |        |   |      |    |       |        |   |      |    |       |        |   |      |    |       |        |   |      |    |       |        |   |      |    |       |        |   |      |    |       |  |   |
|            | 5  | 5 mm   |   |  |    |      |        |        |     |        |   |      |         |     |        |   |      |        |   |      |    |       |        |   |      |    |       |        |   |      |    |       |        |   |      |    |       |        |   |      |    |       |        |   |      |    |       |        |   |      |    |       |        |   |      |    |       |        |   |      |    |       |        |   |      |    |       |        |   |      |    |       |  |   |
| 4 x 10     | 6  | 6 mm   |   |  |    |      |        |        |     |        |   |      |         |     |        |   |      |        |   |      |    |       |        |   |      |    |       |        |   |      |    |       |        |   |      |    |       |        |   |      |    |       |        |   |      |    |       |        |   |      |    |       |        |   |      |    |       |        |   |      |    |       |        |   |      |    |       |        |   |      |    |       |  |   |
|            | 15   | 15 mm  |   |  |    |      |        |        |     |        |   |      |         |     |        |   |      |        |   |      |    |       |        |   |      |    |       |        |   |      |    |       |        |   |      |    |       |        |   |      |    |       |        |   |      |    |       |        |   |      |    |       |        |   |      |    |       |        |   |      |    |       |        |   |      |    |       |        |   |      |    |       |  |   |
| 4 x 20     | 6  | 6 mm   |   |  |    |      |        |        |     |        |   |      |         |     |        |   |      |        |   |      |    |       |        |   |      |    |       |        |   |      |    |       |        |   |      |    |       |        |   |      |    |       |        |   |      |    |       |        |   |      |    |       |        |   |      |    |       |        |   |      |    |       |        |   |      |    |       |        |   |      |    |       |  |   |
|            | 15   | 15 mm  |   |  |    |      |        |        |     |        |   |      |         |     |        |   |      |        |   |      |    |       |        |   |      |    |       |        |   |      |    |       |        |   |      |    |       |        |   |      |    |       |        |   |      |    |       |        |   |      |    |       |        |   |      |    |       |        |   |      |    |       |        |   |      |    |       |        |   |      |    |       |  |   |
| 4 x 30     | 6  | 6 mm   |   |  |    |      |        |        |     |        |   |      |         |     |        |   |      |        |   |      |    |       |        |   |      |    |       |        |   |      |    |       |        |   |      |    |       |        |   |      |    |       |        |   |      |    |       |        |   |      |    |       |        |   |      |    |       |        |   |      |    |       |        |   |      |    |       |        |   |      |    |       |  |   |
|            | 15   | 15 mm  |   |  |    |      |        |        |     |        |   |      |         |     |        |   |      |        |   |      |    |       |        |   |      |    |       |        |   |      |    |       |        |   |      |    |       |        |   |      |    |       |        |   |      |    |       |        |   |      |    |       |        |   |      |    |       |        |   |      |    |       |        |   |      |    |       |        |   |      |    |       |  |   |
| 5 x 10     | 6  | 6 mm   |   |  |    |      |        |        |     |        |   |      |         |     |        |   |      |        |   |      |    |       |        |   |      |    |       |        |   |      |    |       |        |   |      |    |       |        |   |      |    |       |        |   |      |    |       |        |   |      |    |       |        |   |      |    |       |        |   |      |    |       |        |   |      |    |       |        |   |      |    |       |  |   |
|            | 15   | 15 mm  |   |  |    |      |        |        |     |        |   |      |         |     |        |   |      |        |   |      |    |       |        |   |      |    |       |        |   |      |    |       |        |   |      |    |       |        |   |      |    |       |        |   |      |    |       |        |   |      |    |       |        |   |      |    |       |        |   |      |    |       |        |   |      |    |       |        |   |      |    |       |  |   |
| 5 x 20     | 6  | 6 mm   |   |  |    |      |        |        |     |        |   |      |         |     |        |   |      |        |   |      |    |       |        |   |      |    |       |        |   |      |    |       |        |   |      |    |       |        |   |      |    |       |        |   |      |    |       |        |   |      |    |       |        |   |      |    |       |        |   |      |    |       |        |   |      |    |       |        |   |      |    |       |  |   |
|            | 15   | 15 mm  |   |  |    |      |        |        |     |        |   |      |         |     |        |   |      |        |   |      |    |       |        |   |      |    |       |        |   |      |    |       |        |   |      |    |       |        |   |      |    |       |        |   |      |    |       |        |   |      |    |       |        |   |      |    |       |        |   |      |    |       |        |   |      |    |       |        |   |      |    |       |  |   |
| 5 x 30     | 6  | 6 mm   |   |  |    |      |        |        |     |        |   |      |         |     |        |   |      |        |   |      |    |       |        |   |      |    |       |        |   |      |    |       |        |   |      |    |       |        |   |      |    |       |        |   |      |    |       |        |   |      |    |       |        |   |      |    |       |        |   |      |    |       |        |   |      |    |       |        |   |      |    |       |  |   |
|            | 15   | 15 mm  |   |  |    |      |        |        |     |        |   |      |         |     |        |   |      |        |   |      |    |       |        |   |      |    |       |        |   |      |    |       |        |   |      |    |       |        |   |      |    |       |        |   |      |    |       |        |   |      |    |       |        |   |      |    |       |        |   |      |    |       |        |   |      |    |       |        |   |      |    |       |  |   |
| 6 x 10     | 6  | 6 mm   |   |  |    |      |        |        |     |        |   |      |         |     |        |   |      |        |   |      |    |       |        |   |      |    |       |        |   |      |    |       |        |   |      |    |       |        |   |      |    |       |        |   |      |    |       |        |   |      |    |       |        |   |      |    |       |        |   |      |    |       |        |   |      |    |       |        |   |      |    |       |  |   |
|            | 15   | 15 mm  |   |  |    |      |        |        |     |        |   |      |         |     |        |   |      |        |   |      |    |       |        |   |      |    |       |        |   |      |    |       |        |   |      |    |       |        |   |      |    |       |        |   |      |    |       |        |   |      |    |       |        |   |      |    |       |        |   |      |    |       |        |   |      |    |       |        |   |      |    |       |  |   |
| 6 x 20     | 6  | 6 mm   |   |  |    |      |        |        |     |        |   |      |         |     |        |   |      |        |   |      |    |       |        |   |      |    |       |        |   |      |    |       |        |   |      |    |       |        |   |      |    |       |        |   |      |    |       |        |   |      |    |       |        |   |      |    |       |        |   |      |    |       |        |   |      |    |       |        |   |      |    |       |  |   |
|            | 15   | 15 mm  |   |  |    |      |        |        |     |        |   |      |         |     |        |   |      |        |   |      |    |       |        |   |      |    |       |        |   |      |    |       |        |   |      |    |       |        |   |      |    |       |        |   |      |    |       |        |   |      |    |       |        |   |      |    |       |        |   |      |    |       |        |   |      |    |       |        |   |      |    |       |  |   |
| 6 x 30     | 6  | 6 mm   |   |  |    |      |        |        |     |        |   |      |         |     |        |   |      |        |   |      |    |       |        |   |      |    |       |        |   |      |    |       |        |   |      |    |       |        |   |      |    |       |        |   |      |    |       |        |   |      |    |       |        |   |      |    |       |        |   |      |    |       |        |   |      |    |       |        |   |      |    |       |  |   |
|            | 15   | 15 mm  |   |  |    |      |        |        |     |        |   |      |         |     |        |   |      |        |   |      |    |       |        |   |      |    |       |        |   |      |    |       |        |   |      |    |       |        |   |      |    |       |        |   |      |    |       |        |   |      |    |       |        |   |      |    |       |        |   |      |    |       |        |   |      |    |       |        |   |      |    |       |  |   |
| 8 x 20     | 6  | 6 mm   |   |  |    |      |        |        |     |        |   |      |         |     |        |   |      |        |   |      |    |       |        |   |      |    |       |        |   |      |    |       |        |   |      |    |       |        |   |      |    |       |        |   |      |    |       |        |   |      |    |       |        |   |      |    |       |        |   |      |    |       |        |   |      |    |       |        |   |      |    |       |  |   |
|            | 15   | 15 mm  |   |  |    |      |        |        |     |        |   |      |         |     |        |   |      |        |   |      |    |       |        |   |      |    |       |        |   |      |    |       |        |   |      |    |       |        |   |      |    |       |        |   |      |    |       |        |   |      |    |       |        |   |      |    |       |        |   |      |    |       |        |   |      |    |       |        |   |      |    |       |  |   |
| 8 x 30     | 6  | 6 mm   |   |  |    |      |        |        |     |        |   |      |         |     |        |   |      |        |   |      |    |       |        |   |      |    |       |        |   |      |    |       |        |   |      |    |       |        |   |      |    |       |        |   |      |    |       |        |   |      |    |       |        |   |      |    |       |        |   |      |    |       |        |   |      |    |       |        |   |      |    |       |  |   |
|            | 15   | 15 mm  |   |  |    |      |        |        |     |        |   |      |         |     |        |   |      |        |   |      |    |       |        |   |      |    |       |        |   |      |    |       |        |   |      |    |       |        |   |      |    |       |        |   |      |    |       |        |   |      |    |       |        |   |      |    |       |        |   |      |    |       |        |   |      |    |       |        |   |      |    |       |  |   |

註: 1. 僅適用於PAWFS、PAWTS系列選型用  
 2. 詳細規格見 P.4-2.33~P.4-2.34

PA  
真空吸盤  
單層型

PB  
真空吸盤  
雙層型

PC  
真空吸盤  
三層型

PAG  
薄型吸盤

PAO  
防滑吸盤

PAW  
橢圓型吸盤

PAP  
平板型吸盤

PAQ  
無痕型吸盤

PAL  
不迴轉  
真空吸盤

PBL  
不迴轉  
真空吸盤

PCL  
不迴轉  
真空吸盤

PAR  
擺動  
支架組

PS  
非接觸式  
吸盤

PS  
非接觸式  
吸盤

## ◎ 吸盤材質

| 記號 | 材質              | 硬度(HS) | 使用溫度範圍    | 顏色 | 表面電阻(註)                                 |
|----|-----------------|--------|-----------|----|---|
| N  | NBR(橡膠)         | A55/S  | -26~120°C | 黑  | -                                       |
| S  | 矽膠(Silicon)、矽橡膠 | A55/S  | -60~250°C | 白  | -                                       |
| SE | 防靜電橡膠           | A55/S  | -60~250°C | 黑  | $10^4 \sim 10^6 \Omega \cdot \text{cm}$ |
| E  | 低阻抗防靜電橡膠        | A55/S  | -60~250°C | 黑  | $200 \Omega \cdot \text{cm}$            |

註: 1. 為橡膠的導電性質, 表示每 $\text{cm}^2$ 的電阻值。  
 2. 我司指定測試片之測試值。

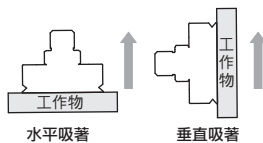
## ◎ 吸盤之選定要領

理論吸著力是根據使用吸盤的面積和使用吸盤時產生的真空度計算求得。計算值作為參考值, 請根據需要進行實際的吸附試驗來確認。理論吸著力是靜態條件下的數值, 需增加考量工作物的重量和移動時(如提升、停止、轉動...等)的加速度引起的力請預留足夠的裕度。

### ● 吸著能力之計算方式

$$W = \frac{P \times A}{-10}$$

W: 吸著之能力 N  
 P: 真空壓 kPa  
 A: 吸盤面積  $\text{cm}^2$

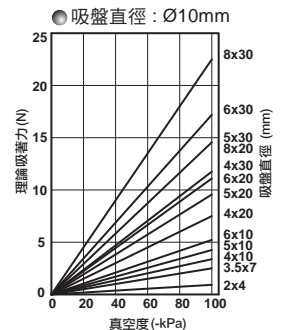


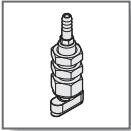
4-2.57

### ◎ 理論吸著力

● 橢圓型吸盤規格:

- 2x 4mm, 3.5x7mm,
- 4x10mm, 4x20mm,
- 4x30mm, 5x10mm,
- 5x20mm, 5x30mm,
- 6x10mm, 6x20mm,
- 6x30mm, 8x20mm,
- 8x30mm





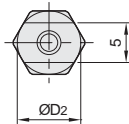
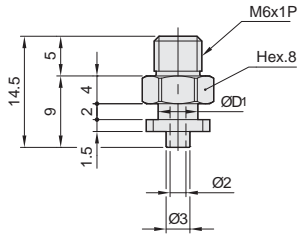
# 真空吸盤 / 橢圓型吸盤

## 吸盤規格及種類-橢圓型 PAW 系列

氣立可空氣壓設備

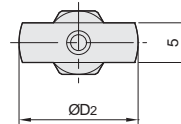
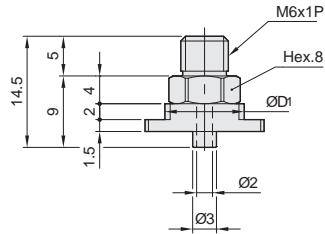
### 吸盤轉接用支架尺寸

● PAW □ x 10



● PAW □ x 20

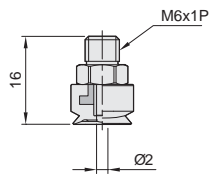
● PAW □ x 30



| 型式        | ØD <sub>1</sub> | ØD <sub>2</sub> | 適用規格                                    |
|-----------|-----------------|-----------------|---|
| PAW 10-M6 | 5               | 8               | 4x10、5x10、6x10                          |
| PAW 20-M6 | 10              | 15              | 4x20、4x30、5x20、5x30、6x20、6x30、8x20、8x30 |

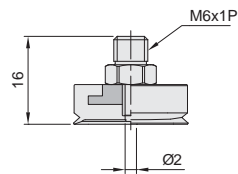
### 吸盤轉接用支架組合圖示

● PAW □ x 10



● PAW □ x 20

● PAW □ x 30





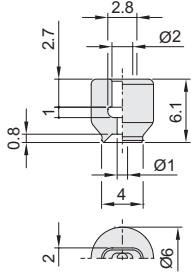
# 真空吸盤 / 橢圓型吸盤

## 吸盤規格及種類-橢圓型 PAW 系列

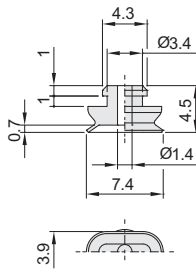
CHELIC

### 吸盤轉接用支架尺寸

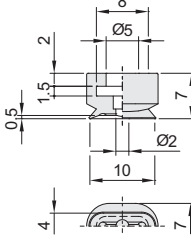
● PAW 2 x 4



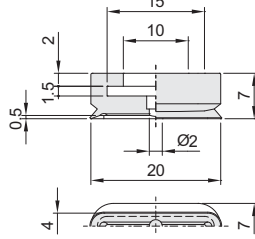
● PAW 3.5 x 7



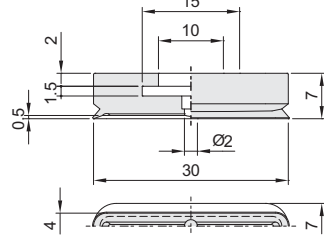
● PAW 4 x 10



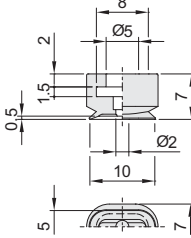
● PAW 4 x 20



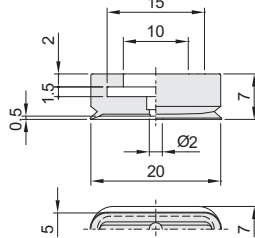
● PAW 4 x 30



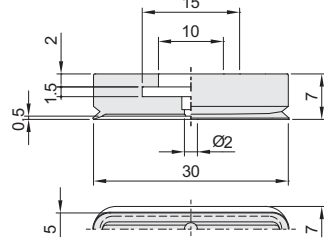
● PAW 5 x 10



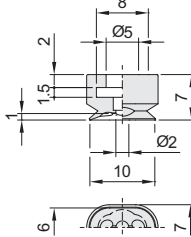
● PAW 5 x 20



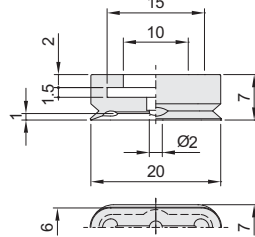
● PAW 5 x 30



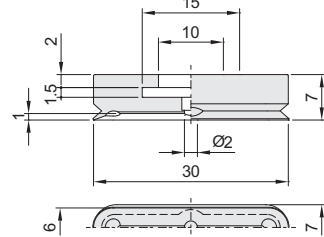
● PAW 6 x 10



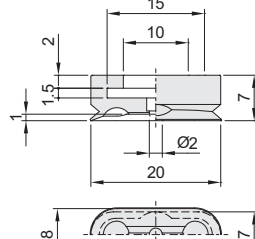
● PAW 6 x 20



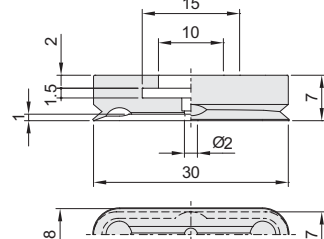
● PAW 6 x 30



● PAW 8 x 20



● PAW 8 x 30



**PA**  
真空吸盤  
單層型

**PB**  
真空吸盤  
雙層型

**PC**  
真空吸盤  
三層型

**PAG**  
薄型吸盤

**PAO**  
防滑吸盤

**PAW**  
橢圓型吸盤

**PAP**  
平板型吸盤

**PAQ**  
無痕型吸盤

**PAL**  
不迴轉  
真空吸盤

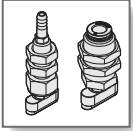
**PBL**  
不迴轉  
真空吸盤

**PCL**  
不迴轉  
真空吸盤

**PAR**  
擺動  
支架組

**PS**  
非接觸式  
吸盤

**PS**  
非接觸式  
吸盤

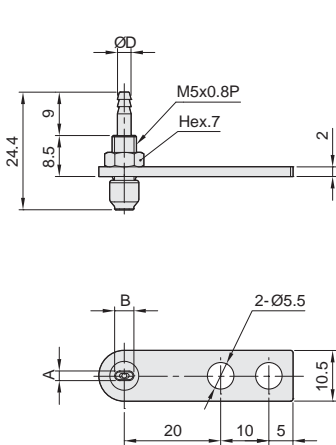


# 真空吸盤 / 橢圓型吸盤

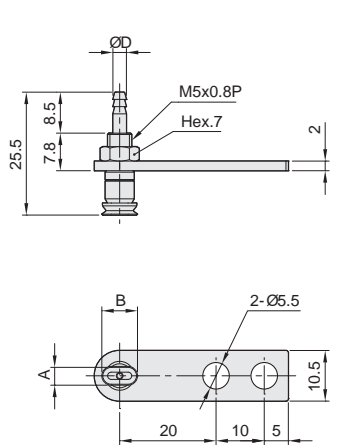
外觀圖形尺寸 - 橢圓型 PAWF、PAWK(附接頭)系列 / 直立配管

氣立可空氣壓設備

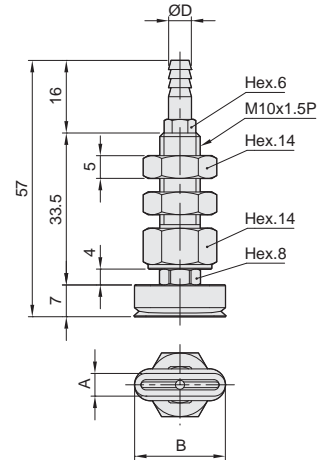
## PAWF - 2x4



## PAWF - 3.5x7

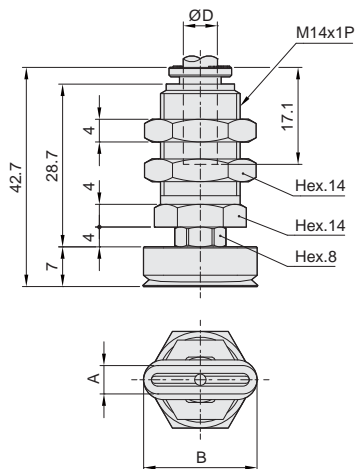


## PAWF - □ - x10、20、30

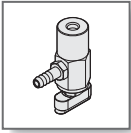


| 型式             | 管外徑x內徑<br>ØD | 短徑<br>A | 長徑<br>B |
|----------------|--------------|---------|---------|
| PAWF - 2 x 4   | 4x2.5        | 2       | 4       |
| PAWF - 3.5 x 7 | 6x4          | 3.5     | 7       |
| PAWF - 4 x 10  | 6x4          | 4       | 10      |
| PAWF - 4 x 20  |              |         | 20      |
| PAWF - 4 x 30  |              |         | 30      |
| PAWF - 5 x 10  | 6x4          | 5       | 10      |
| PAWF - 5 x 20  |              |         | 20      |
| PAWF - 5 x 30  |              |         | 30      |
| PAWF - 6 x 10  | 6x4          | 6       | 10      |
| PAWF - 6 x 20  |              |         | 20      |
| PAWF - 6 x 30  |              |         | 30      |
| PAWF - 8 x 20  | 6x4          | 8       | 20      |
| PAWF - 8 x 30  |              |         | 30      |

## PAWK - □ - x10、20、30



| 型式            | 管外徑<br>ØD | 短徑<br>A | 長徑<br>B |
|---------------|-----------|---------|---------|
| PAWK - 4 x 10 | 6         | 4       | 10      |
| PAWK - 4 x 20 |           |         | 20      |
| PAWK - 4 x 30 |           |         | 30      |
| PAWK - 5 x 10 | 6         | 5       | 10      |
| PAWK - 5 x 20 |           |         | 20      |
| PAWK - 5 x 30 |           |         | 30      |
| PAWK - 6 x 10 | 6         | 6       | 10      |
| PAWK - 6 x 20 |           |         | 20      |
| PAWK - 6 x 30 |           |         | 30      |
| PAWK - 8 x 20 | 6         | 8       | 20      |
| PAWK - 8 x 30 |           |         | 30      |

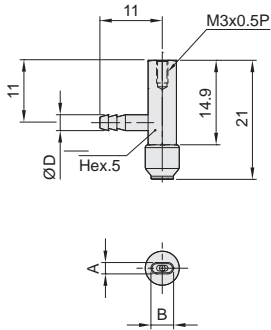


# 真空吸盤 / 橢圓型吸盤

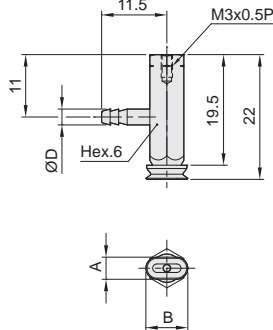
外觀圖形尺寸-橢圓型 PAWT 系列/側向配管

CHELIC

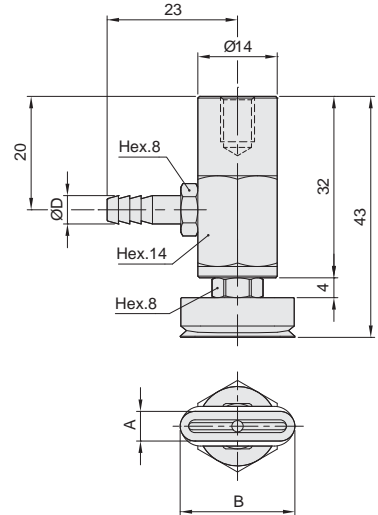
## PAW T - 2x4



## PAW T - 3.5x7



## PAW T - □ x 10、20、30



| 型式              | 管外徑x內徑<br>ØD | 短徑<br>A | 長徑<br>B |
|-----------------|--------------|---------|---------|
| PAW T - 2 x 4   | 4x2.5        | 2       | 4       |
| PAW T - 3.5 x 7 | 6x4          | 3.5     | 7       |
| PAW T - 4 x 10  | 6x4          | 4       | 10      |
| PAW T - 4 x 20  |              |         | 20      |
| PAW T - 4 x 30  |              |         | 30      |
| PAW T - 5 x 10  | 6x4          | 5       | 10      |
| PAW T - 5 x 20  |              |         | 20      |
| PAW T - 5 x 30  |              |         | 30      |
| PAW T - 6 x 10  | 6x4          | 6       | 10      |
| PAW T - 6 x 20  |              |         | 20      |
| PAW T - 6 x 30  |              |         | 30      |
| PAW T - 8 x 20  | 6x4          | 8       | 20      |
| PAW T - 8 x 30  |              |         | 30      |

**PA**  
真空吸盤  
單層型

**PB**  
真空吸盤  
雙層型

**PC**  
真空吸盤  
三層型

**PAG**  
薄型吸盤

**PAO**  
防滑吸盤

**PAW**  
橢圓型吸盤

**PAP**  
平板型吸盤

**PAQ**  
無痕型吸盤

**PAL**  
不迴轉  
真空吸盤

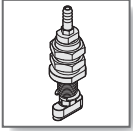
**PBL**  
不迴轉  
真空吸盤

**PCL**  
不迴轉  
真空吸盤

**PAR**  
擺動  
支架組

**PS**  
非接觸式  
吸盤

**PS**  
非接觸式  
吸盤



# 真空吸盤 / 橢圓型吸盤

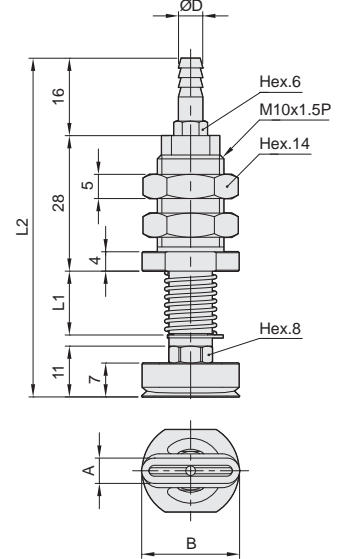
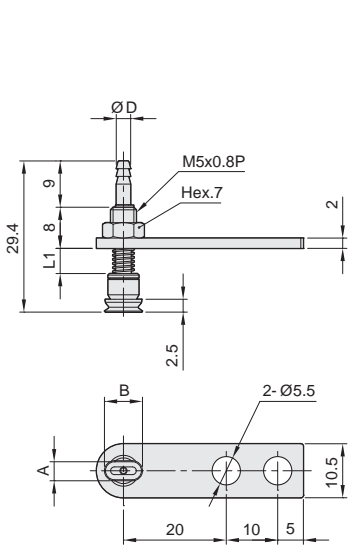
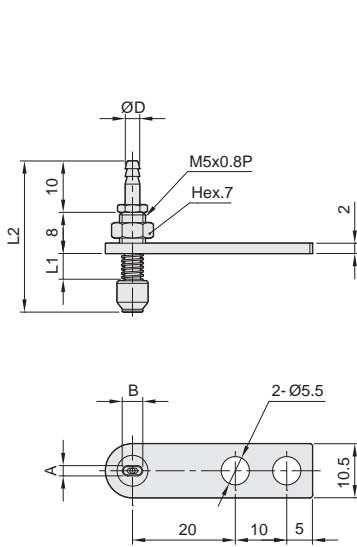
外觀圖形尺寸-橢圓型 PAWFS 系列 / 直立彈簧型

氣立可空氣壓設備

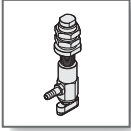
PAW FS - 2x4x 2.5  
PAW FS - 2x4x 5

PAW FS - 3.5x7x 2.5  
PAW FS - 3.5x7x 5

PAW FS - □x10、20、30x 06  
PAW FS - □x10、20、30x 15



| 型式                     | 管外徑x內徑<br>ØD | 短徑<br>A | 長徑<br>B | L1 | L2   |
|------------------------|--------------|---------|---------|----|------|
| PAW FS - 2 x 4 x 2.5   | 4x2.5        | 2       | 4       | 5  | 29.9 |
| PAW FS - 2 x 4 x 5     |              |         |         | 10 | 34.9 |
| PAW FS - 3.5 x 7 x 2.5 | 4x2.5        | 3.5     | 7       | 5  | 29.9 |
| PAW FS - 3.5 x 7 x 5   |              |         |         | 10 | 34.9 |
| PAW FS - 4 x 10 x 6    | 6x4          | 4       | 10      | 12 | 70.5 |
| PAW FS - 4 x 10 x 15   |              |         |         | 30 | 87.5 |
| PAW FS - 4 x 20 x 6    | 6x4          | 4       | 20      | 12 | 70.5 |
| PAW FS - 4 x 20 x 15   |              |         |         | 30 | 87.5 |
| PAW FS - 4 x 30 x 6    | 6x4          | 4       | 30      | 12 | 70.5 |
| PAW FS - 4 x 30 x 15   |              |         |         | 30 | 87.5 |
| PAW FS - 5 x 10 x 6    | 6x4          | 5       | 10      | 12 | 70.5 |
| PAW FS - 5 x 10 x 15   |              |         |         | 30 | 87.5 |
| PAW FS - 5 x 20 x 6    | 6x4          | 5       | 20      | 12 | 70.5 |
| PAW FS - 5 x 20 x 15   |              |         |         | 30 | 87.5 |
| PAW FS - 5 x 30 x 6    | 6x4          | 5       | 30      | 12 | 70.5 |
| PAW FS - 5 x 30 x 15   |              |         |         | 30 | 87.5 |
| PAW FS - 6 x 10 x 6    | 6x4          | 6       | 10      | 12 | 70.5 |
| PAW FS - 6 x 10 x 15   |              |         |         | 30 | 87.5 |
| PAW FS - 6 x 20 x 6    | 6            | 20      | 20      | 12 | 70.5 |
| PAW FS - 6 x 20 x 15   |              |         |         | 30 | 87.5 |
| PAW FS - 6 x 30 x 6    | 6            | 30      | 30      | 12 | 70.5 |
| PAW FS - 6 x 30 x 15   |              |         |         | 30 | 87.5 |
| PAW FS - 8 x 20 x 6    | 8            | 20      | 20      | 12 | 70.5 |
| PAW FS - 8 x 20 x 15   |              |         |         | 30 | 87.5 |
| PAW FS - 8 x 30 x 6    | 8            | 30      | 30      | 12 | 70.5 |
| PAW FS - 8 x 30 x 15   |              |         |         | 30 | 87.5 |



# 真空吸盤 / 橢圓型吸盤

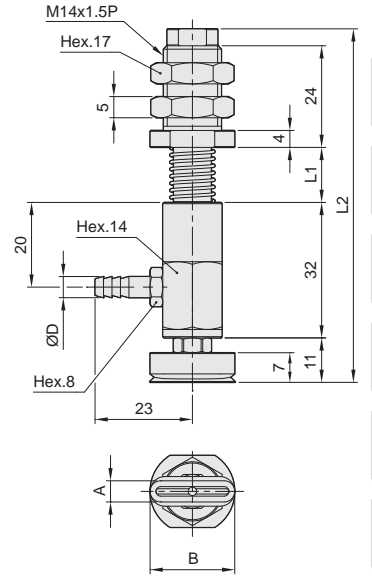
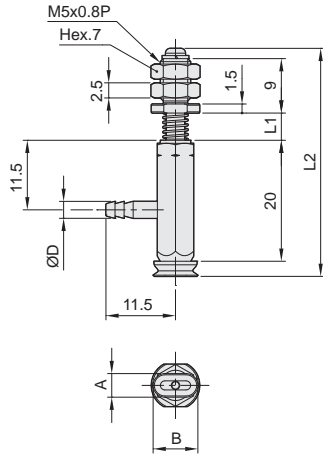
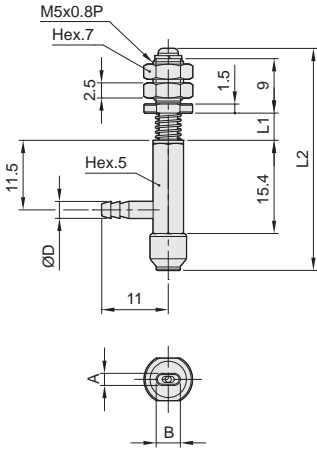
外觀圖形尺寸-橢圓型 PAWTS 系列 / 側向彈簧型

CHELIC

PAW **TS** - 2x4x **2.5**  
PAW **TS** - 2x4x **5**

PAW **TS** - 3.5x7x **2.5**  
PAW **TS** - 3.5x7x **5**

PAW **TS** - x10、20、30x **06**  
PAW **TS** - x10、20、30x **15**



**PA**  
真空吸盤  
單層型

**PB**  
真空吸盤  
雙層型

**PC**  
真空吸盤  
三層型

**PAG**  
薄型吸盤

**PAO**  
防滑吸盤

**PAW**  
橢圓型吸盤

**PAP**  
平板型吸盤

**PAQ**  
無痕型吸盤

**PAL**  
不迴轉  
真空吸盤

**PBL**  
不迴轉  
真空吸盤

**PCL**  
不迴轉  
真空吸盤

**PAR**  
擺動  
支架組

**PS**  
非接觸式  
吸盤

**PS**  
非接觸式  
吸盤

| 型式                            | 管外徑x內徑<br>ØD | 短徑<br>A | 長徑<br>B | L 1 | L 2  |
|-------------------------------|--------------|---------|---------|-----|------|
| PAW <b>TS</b> - 2 x 4 x 2.5   | 4x2.5        | 2       | 4       | 5   | 37.2 |
| PAW <b>TS</b> - 2 x 4 x 5     |              |         |         | 10  | 48.2 |
| PAW <b>TS</b> - 3.5 x 7 x 2.5 | 4x2.5        | 3.5     | 7       | 5   | 38.2 |
| PAW <b>TS</b> - 3.5 x 7 x 5   |              |         |         | 10  | 49.2 |
| PAW <b>TS</b> - 4 x 10 x 6    | 6x4          | 4       | 10      | 12  | 84   |
| PAW <b>TS</b> - 4 x 10 x 15   |              |         |         | 30  | 101  |
| PAW <b>TS</b> - 4 x 20 x 6    | 6x4          | 4       | 20      | 12  | 84   |
| PAW <b>TS</b> - 4 x 20 x 15   |              |         |         | 30  | 101  |
| PAW <b>TS</b> - 4 x 30 x 6    | 6x4          | 4       | 30      | 12  | 84   |
| PAW <b>TS</b> - 4 x 30 x 15   |              |         |         | 30  | 101  |
| PAW <b>TS</b> - 5 x 10 x 6    | 6x4          | 5       | 10      | 12  | 84   |
| PAW <b>TS</b> - 5 x 10 x 15   |              |         |         | 30  | 101  |
| PAW <b>TS</b> - 5 x 20 x 6    | 6x4          | 5       | 20      | 12  | 84   |
| PAW <b>TS</b> - 5 x 20 x 15   |              |         |         | 30  | 101  |
| PAW <b>TS</b> - 5 x 30 x 6    | 6x4          | 5       | 30      | 12  | 84   |
| PAW <b>TS</b> - 5 x 30 x 15   |              |         |         | 30  | 101  |
| PAW <b>TS</b> - 6 x 10 x 6    | 6x4          | 6       | 10      | 12  | 84   |
| PAW <b>TS</b> - 6 x 10 x 15   |              |         |         | 30  | 101  |
| PAW <b>TS</b> - 6 x 20 x 6    | 6            | 20      | 20      | 12  | 84   |
| PAW <b>TS</b> - 6 x 20 x 15   |              |         |         | 30  | 101  |
| PAW <b>TS</b> - 6 x 30 x 6    | 6            | 30      | 30      | 12  | 84   |
| PAW <b>TS</b> - 6 x 30 x 15   |              |         |         | 30  | 101  |
| PAW <b>TS</b> - 8 x 20 x 6    | 8            | 20      | 20      | 12  | 84   |
| PAW <b>TS</b> - 8 x 20 x 15   |              |         |         | 30  | 101  |
| PAW <b>TS</b> - 8 x 30 x 6    | 8            | 30      | 30      | 12  | 84   |
| PAW <b>TS</b> - 8 x 30 x 15   |              |         |         | 30  | 101  |